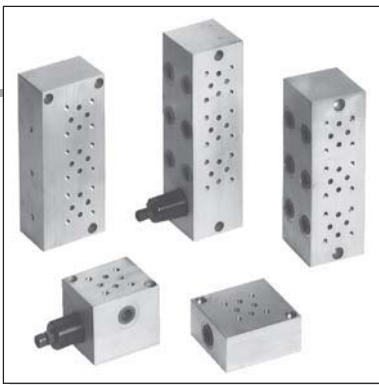


**BS.2... SINGLE STATION SUBPLATE**



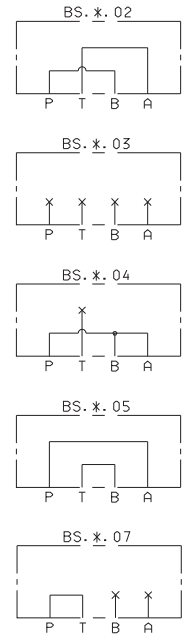
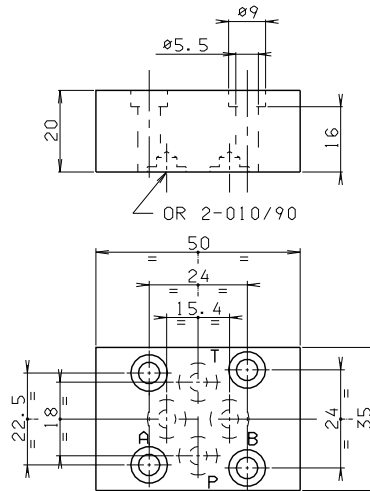
**CETOP 2 SUBPLATES**

BS.2.**.../ BS.2.12...	CH. VII PAGE 2
BS.2.14...	CH. VII PAGE 2
BS.2.16... / BS.2.20...	CH. VII PAGE 3
BS.3.2...	CH. VII PAGE 3
BC.2.50.AB... / BC.2.50.PT...	CH. VII PAGE 4
BC.2.51...	CH. VII PAGE 4
BM.2.**.../ BM.2.60...	CH. VII PAGE 5
BM.2.50... / BM.2.70...	CH. VII PAGE 6
CMP.02...	CH. V PAGE 17

**BS.2.\*\*...**

- BS** Single subplate (blanking)
- 2** CETOP 2/NG4
- \*\*** 02 / 03 / 04 / 05 / 07
- 00** No variant
- 1** Serial No.

Weight: 0,09 Kg  
Fixing screws  
M5x25 UNI 5931

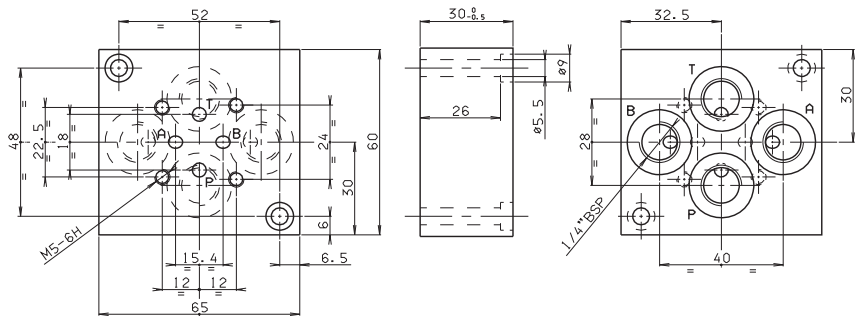


**BS.2.12 (REAR CONNECTORS)**

**7**

- BS** Single subplate
- 2** CETOP 2/NG4
- 12** 1/4" BSP rear connectors
- 00** No variant
- 1** Serial No.

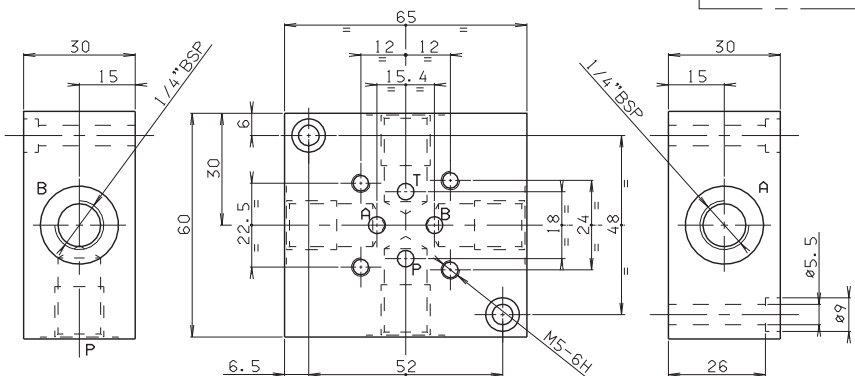
Weight: 0,3 Kg  
Fixing screws M5x35 UNI 5931



**BS.2.14 (SIDE CONNECTORS)**

- BS** Single subplate
- 2** CETOP 2/NG4
- 14** 1/4" BSP side connectors
- 00** No variant
- 1** Serial No.

Weight: 0,3 Kg  
Fixing screws M5x35 UNI 5931

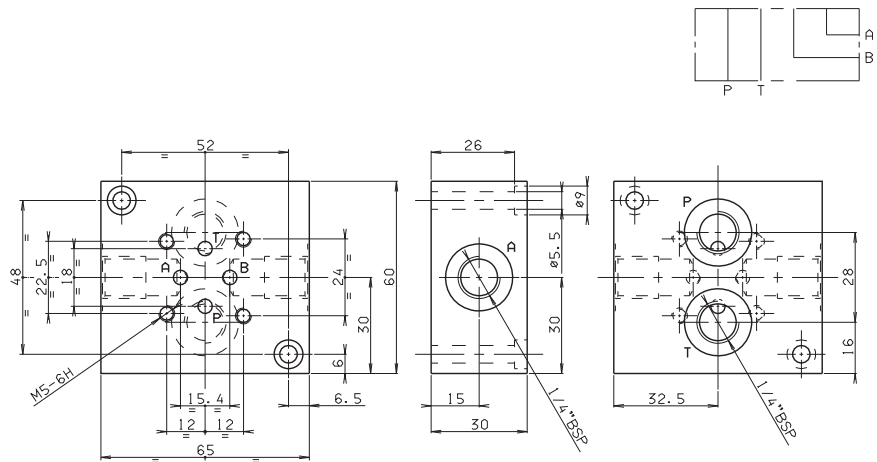


**BS.2... SINGLE STATION SUBPLATE**

**BS.2.16 (CONNECTORS SIDE A AND B, REAR P AND T)**

- BS** Single subplate
- 2** CETOP 2/NG4
- 16** 1/4" BSP rear and side connectors
- 00** No variant
- 1** Serial No.

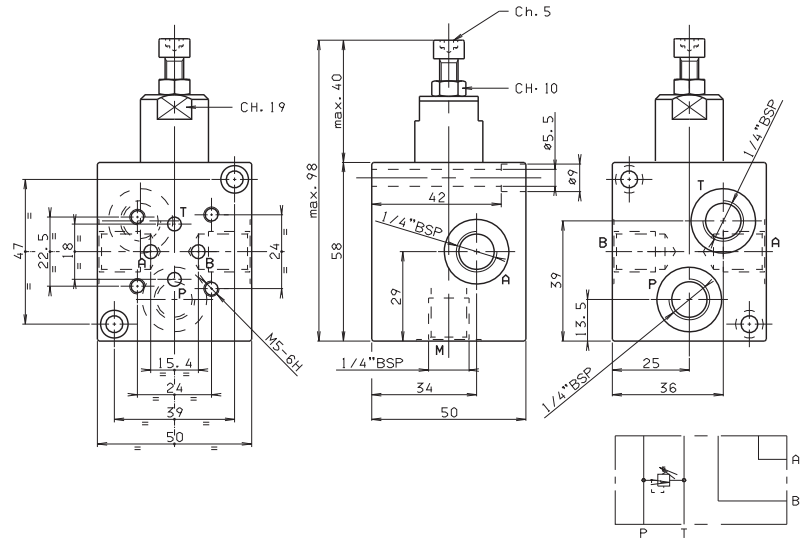
Weight: 0,3 Kg  
Fixing screws M5x35 UNI 5931



**BS.2.20 (CONNECTORS SIDE A AND B, REAR P AND T)**

- BS** Single subplate
- 2** CETOP 2/NG4
- 20** 1/4" BSP rear and side connectors
- C** Type of adjustment grub screws
- \*** Setting ranges  
 1 = max. 30 bar (**white spring**)  
 2 = max. 90 bar (**yellow spring**)  
 3 = max. 180 bar (**green spring**)  
 4 = max. 250 bar (**orange spring**)
- \*\*** **00** = No variant  
**V1** = Viton
- 1** Serial No.

Weight: 0,45 Kg  
Fixing screws M5x50 UNI 5931

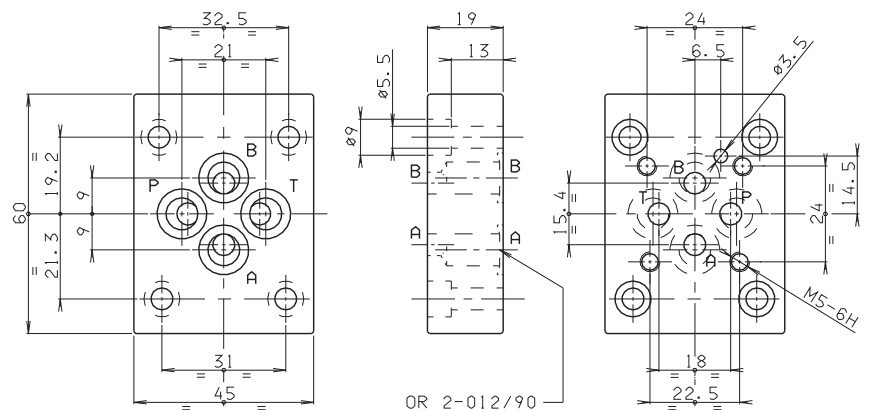


• The minimum permissible setting pressure depending on the spring: see cartridge valve type CMP.02...

**BS.3.2 (REDUCTION PLATE FROM CETOP 3/NG6 TO CETOP 2/NG4)**

- BS** Single subplate
- 3** CETOP 3/NG6
- 2** CETOP 2/NG4
- 00** No variant
- 1** Serial No.

Weight: 0,12 Kg  
Fixing screws M5x20 UNI 5931

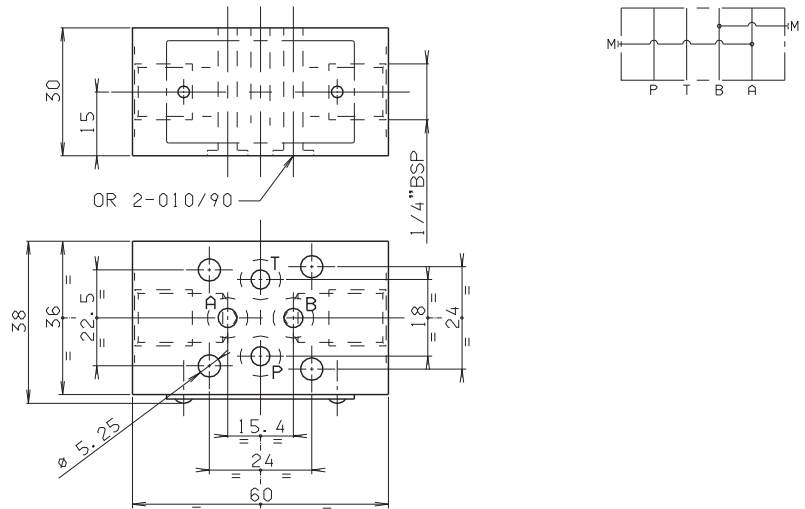


**BC.2... MODULAR COMPONENTS**

**BC.2.50.AB INTERMEDIATE MODULE FOR PRESSURE GAUGE CONNECTION (VENTS A AND B LINES)**

- BC** Module base
- 2** CETOP 2/NG4
- 50** Intermediate module for pressure gauge connection
- AB** Check at ports A and B
- 00** No variant
- 1** Serial No.

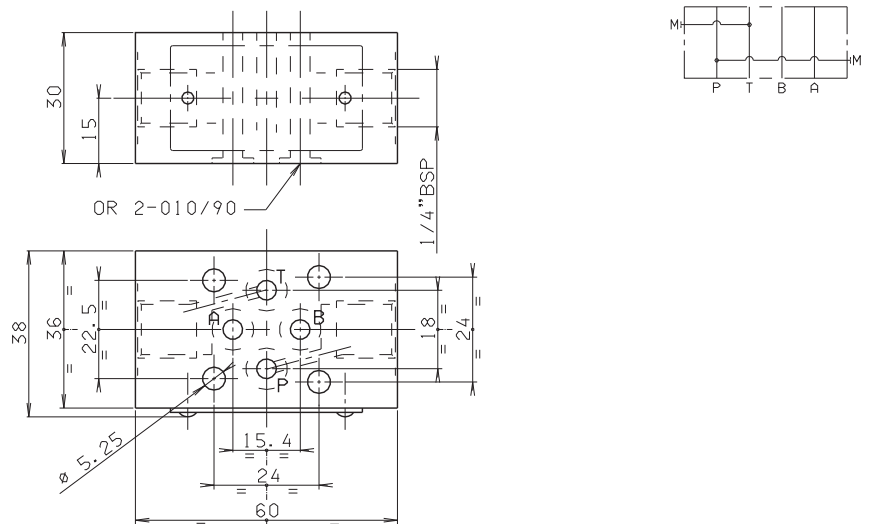
Weight: 0,4 Kg



**BC.2.50.PT INTERMEDIATE MODULE FOR PRESSURE GAUGE CONNECTION (VENTS P AND T LINES)**

- BC** Module base
- 2** CETOP 2/NG4
- 50** Intermediate module for pressure gauge connection
- PT** Check at ports P and T
- 00** No variant
- 1** Serial No.

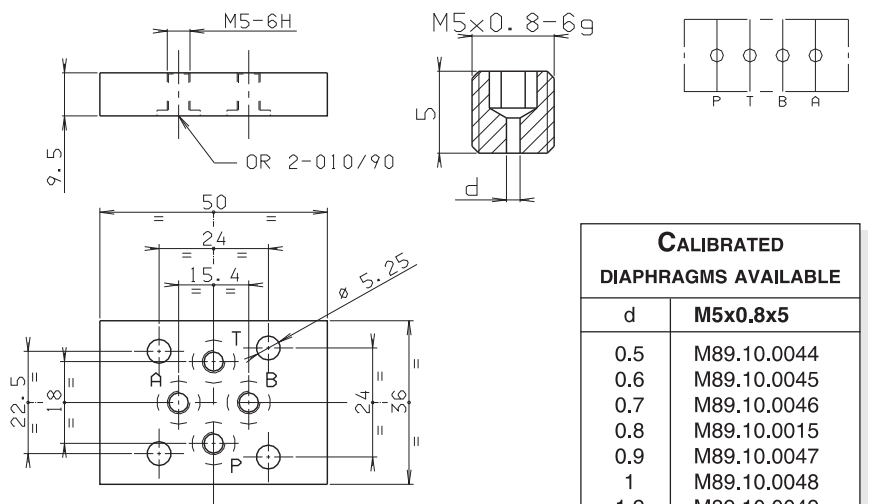
Weight: 0,4 Kg



**BC.2.51 DOWEL CARRIER PLATE FOR SOLENOID VALVE**

- BC** Module base
- 2** CETOP 2/NG4
- 51** Dowel carrier plate for solenoid valve
- 00** No variant
- 1** Serial No.

Weight: 0,05 Kg



CALIBRATED DIAPHRAGMS AVAILABLE	
d	M5x0.8x5
0.5	M89.10.0044
0.6	M89.10.0045
0.7	M89.10.0046
0.8	M89.10.0015
0.9	M89.10.0047
1	M89.10.0048
1.2	M89.10.0049