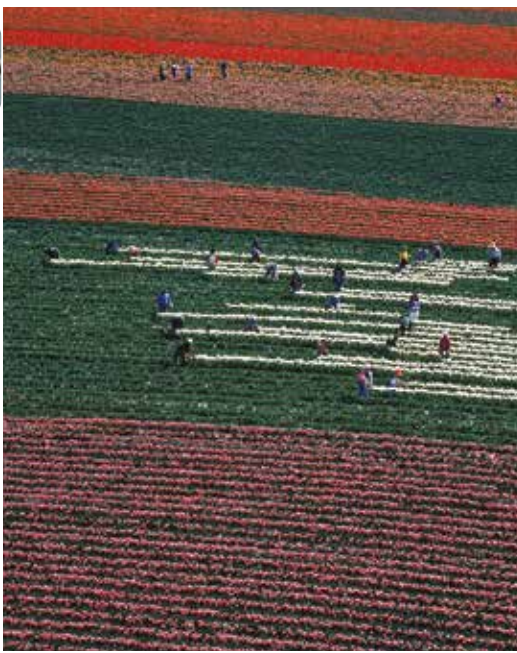




FT 221/3

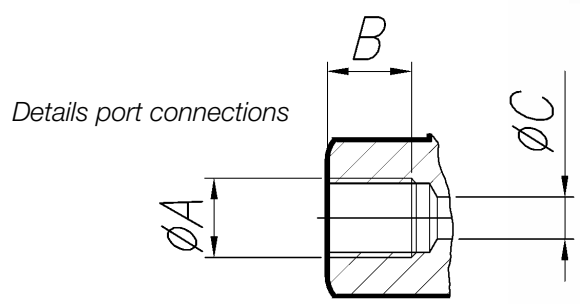
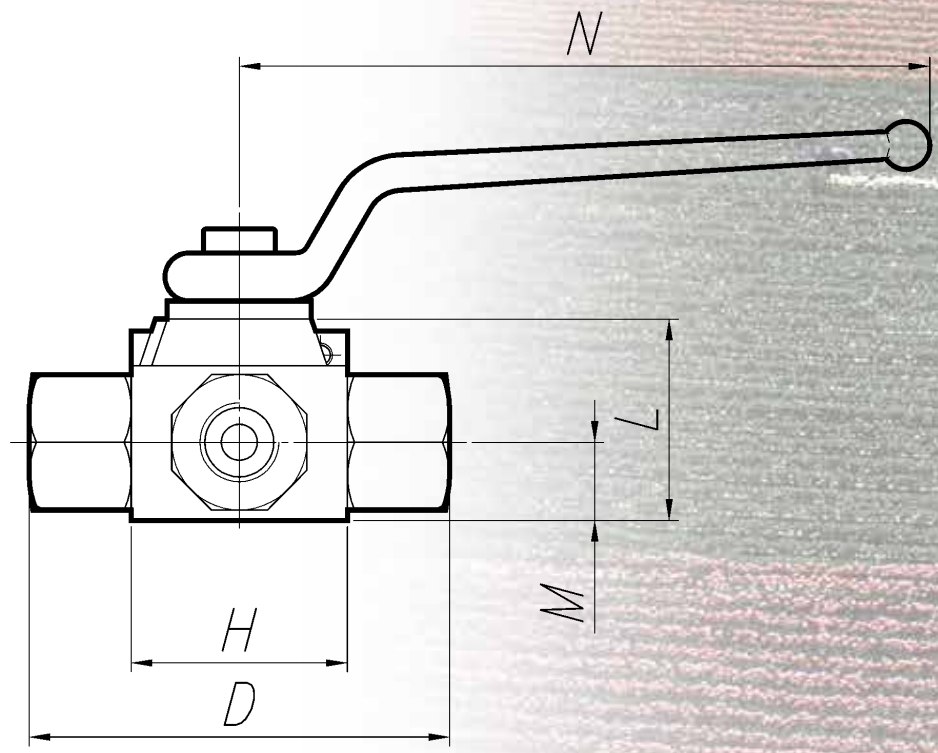


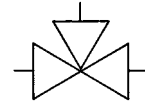
MATERIALS

BODY	CARBON STEEL
CONTROL STEM	CHROME-PLATED STEEL
BALL	CHROME-PLATED STEEL
STEM SEAL	NITRILE
BALL SEAL	PTFE

EXAMPLE FOR ORDERING

CODE	TYPE
STEEL FT 221/3	34





THREE-WAY BALL VALVES

Used to obtain a quick flow shut-off, avoiding noticeable pressure drop, the FT 221/3 ball valves are designed to obtain perfect sealing, easy and quick operation under high pressure conditions.

The noticeable solidity, the material selection and the accurate machining allow their use at working pressure up to 315 bar and with every kind of fluids, such as: hydraulic oil, fuel, emulsions and liquids in general.

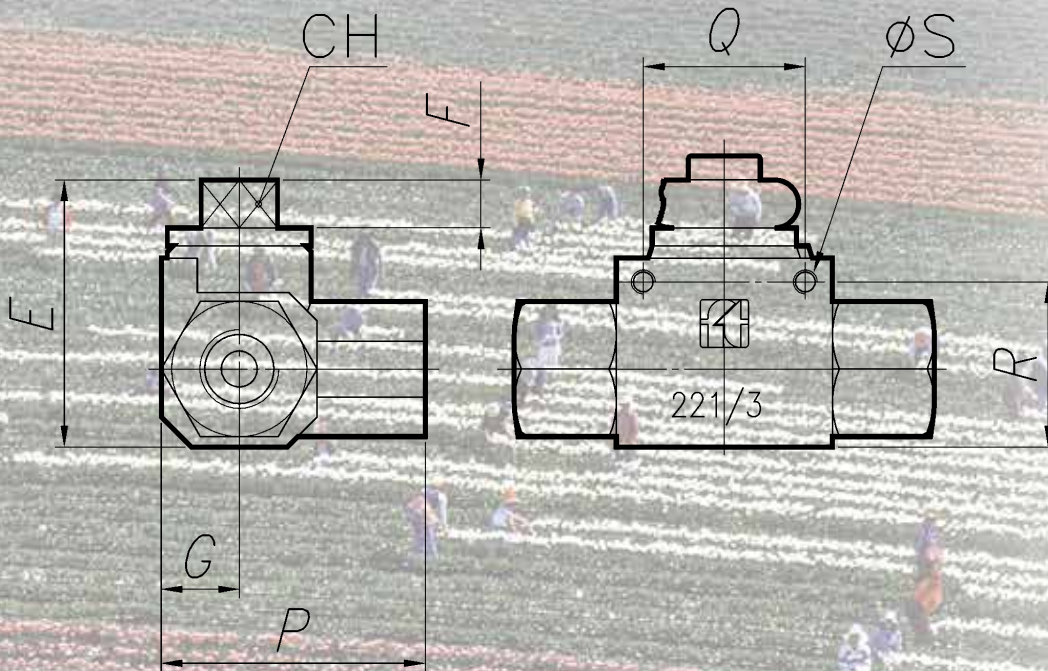
Standard version: at L
Requested: at T

On request

- Version in AISI 316 FT 2221\3
- Viton seal

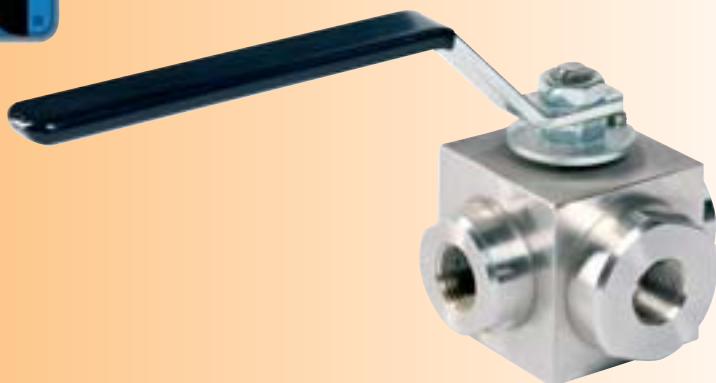


FT 221/3



DIMENSIONS

TYPE	DN	PN (BAR)	∅A	B	∅C	D	E	F	G	H	L	M	N	P	CH	WEIGHT KG	FIXING HOLES ON REQUEST		
																	Q	R	∅S
18	4	500	1/8" G	14	5	71	44,5	8	13	36	33,5	13	115	44	9	0,450	27	27,5	M4
14	6	500	1/4" G	14	7	71	44,5	8	13	36	33,5	13	115	44	9	0,400	27	27,5	M4
38	10	500	3/8" G	14	10	72	50	8	16,5	43	39	16,5	115	51,5	9	0,600	33	35	M4
12	13	500	1/2" G	16	13	85	51,5	8	17,5	48	40,5	17,5	115	55	9	0,650	38	36	M5
34	20	320	3/4" G	18	20	97	72	11	24,5	63	56,5	24,5	160	70	14	1,600	50	49,5	M6
100	25	320	1" G	20	24	113	79,5	11	30	67	63,5	30	160	87,5	14	2,400	54	54	M6



THREE-WAY BALL VALVES

Used to obtain a quick flow shut-off, avoiding noticeable pressure drop, the FT 221/3 ball valves are designed to obtain perfect sealing, easy and quick operation under high pressure conditions. The noticeable solidity, the material selection and the accurate machining allow their use at working pressure up to 315 bar and with every kind of fluids, such as: hydraulic oil, fuel, emulsions and liquids in general.

Standard version: a L

Requested: a T

Available 800 PSI version

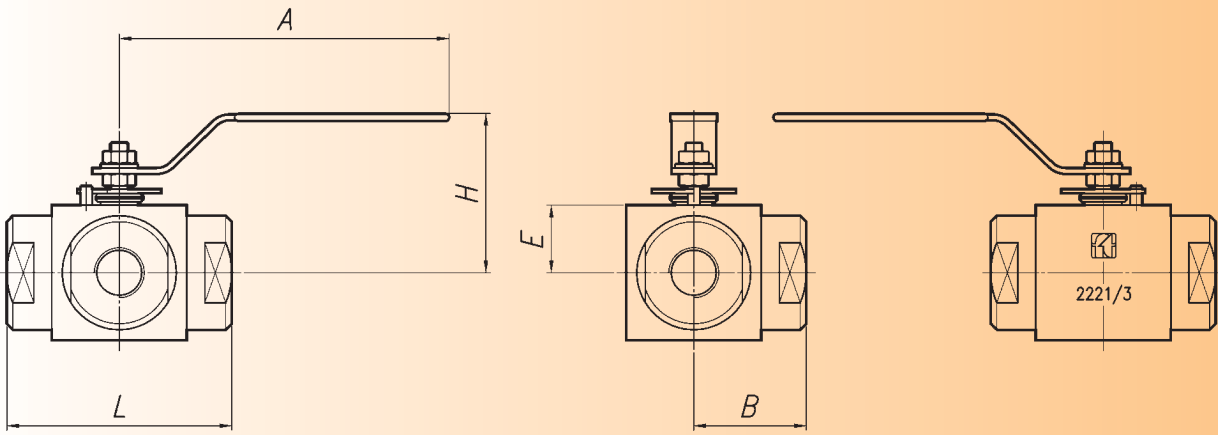
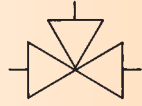


materials

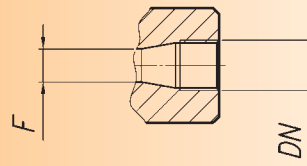
Body	ASTMA 182F316L
Control stem	ASTMA 182F316L
Ball	ASTMA 182F316L
Stem seal	Viton
Ball seal	PTFE

example for ordering

Code	Type
FT 2221/3	34



connection details attacks



85

dimensions

Type	DN	DN	A	B	E	F	h	L	Weight kg
14	1/4"Gas	8	150	37,5	22,5	11	63	75	1,2
38	3/8"Gas	10	150	37,5	22,5	11	63	75	1,2
12	1/2"Gas	15	185	45	30	14	85	90	2,1
34	3/4"Gas	20	185	51	35	20	90	102	2,9
100	1"Gas	25	285	60	40	25	95	120	4,6
114	1 1/4"Gas	32	285	67,5	45	32	100	135	5,9
112	1 1/2"Gas	40	285	77,5	50	38	105	155	9,9