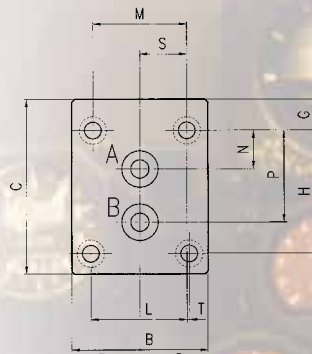
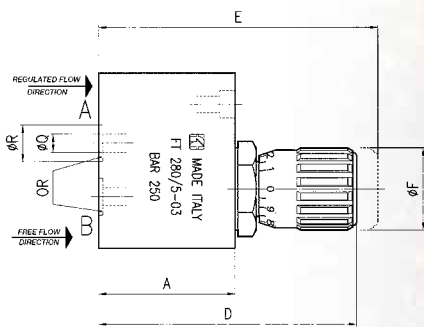




**MATERIALS**

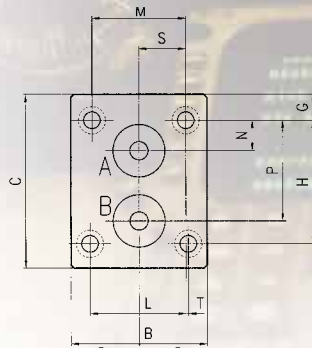
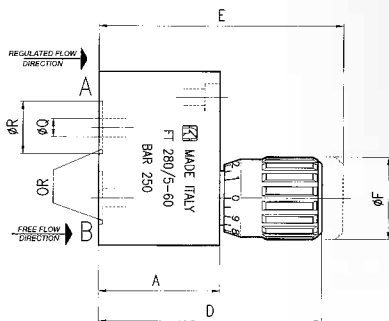
TERMINAL STRIP BODY	11 S MN Pb 30 - UNI EN 10087
CARTRIDGE BODY	11 S MN Pb 30 - UNI EN 10087
NEEDLE	1 C 40 - UNI 8373
HANDWHEEL	GD AL SI 12 UNI EN AB 46100
NIPPLE	NYLON 6
GUIDE CAGE	NYLON 66 + CARBON FIBRE
BALL	STAINLESS STEEL - UNI 100 C 6
SPRING	STEEL INOX AISI 302
PLUG	STEEL 35 S MN Pb 10 - UNI EN 10087
OR	NITRILE
ANTIEXTRUSION RING	PTFE
OBTURATOR	STEEL C 15 Pb

*All components are surface treated and protected*



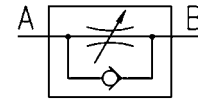
**DIMENSIONS**

TYPE	A	B	C	D	E	∅F	G	H	L	M	N	P	∅Q	∅R	S	T	OR	SCREW	WEIGHT KG
03	45	45	57,5	85,3	92,3	27	10,3	40,5	31,75	31	12,7	30,2	6	12	15,5	0,75	108	M5x50	0,885



**DIMENSIONS**

TYPE	A	B	C	D	E	∅F	G	H	L	M	N	P	∅Q	∅R	S	T	OR	SCREW	WEIGHT KG
60	45	45	57	73,8	80,8	27	8,5	40,5	31,75	31	10	33	6	17,2	15,5	0,75	2056	M5x45	0,785



## SINGLE-ACTING CONTROL PLATE VALVES

They control and eventually shut-off the flow in one direction, allowing a free return in the opposed direction. The suitable dimensions allow to obtain in reduced spaces a remarkable mechanical resistance of components.

As all valves pertaining to series FT 257 they ensure:

- efficient metallic sealing;
- flow linearity during opening;
- accurate flow control, made well visible by the double reference device;
- wide control range of specific flow rate;
- absolute safety against needle withdrawal also in the maximum opening position;
- positioning stability, thanks to the dowel inserted in knob.

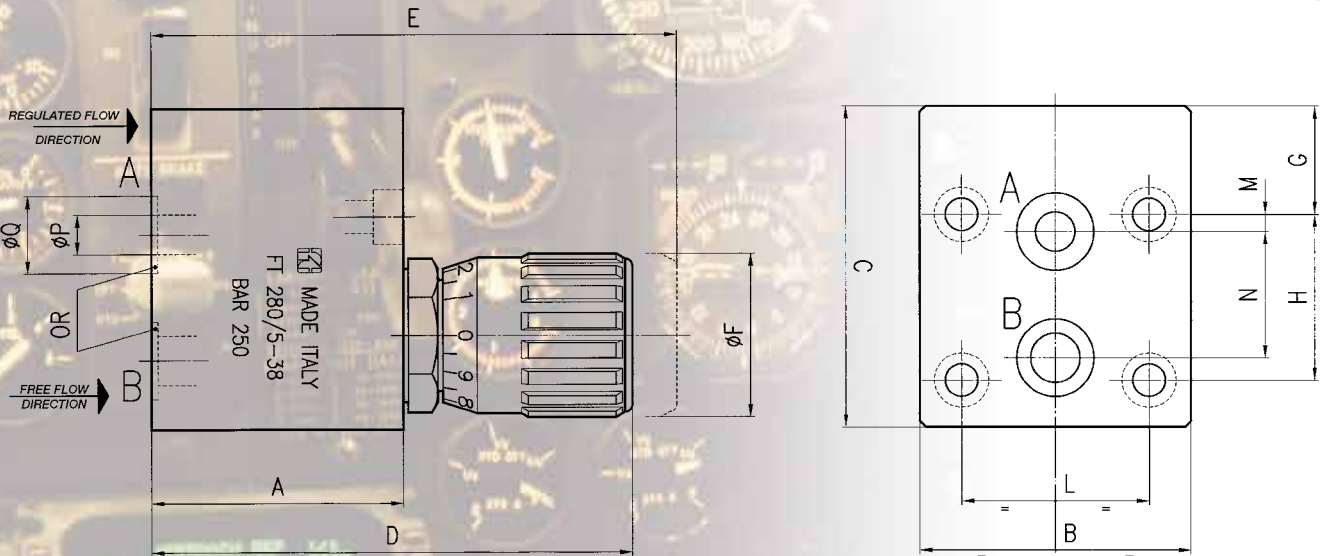
They are provided with plate connections mod. CETOP 03 or interchangeable with the broadly used valves. The connection seals are equipped in series. Max. working pressure 250 bar.

On request

- Complete with Viton seals (V)
- Knob in ABS (mp)



FT 280/5



## DIMENSIONS

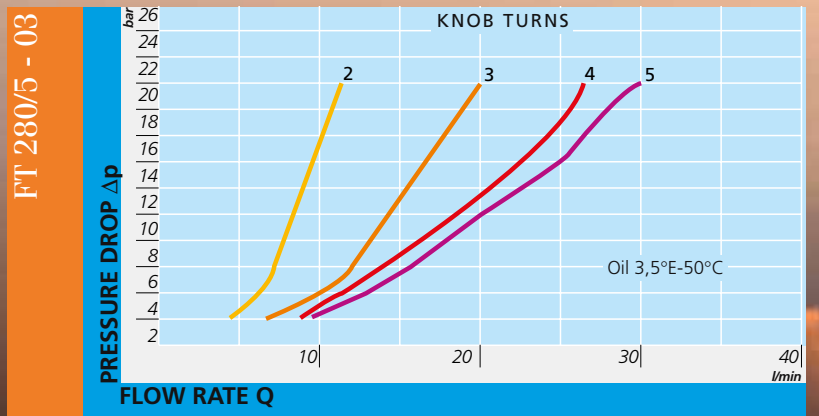
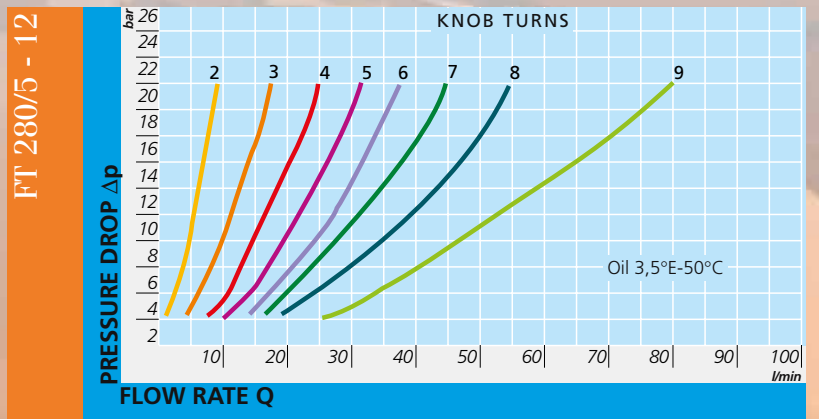
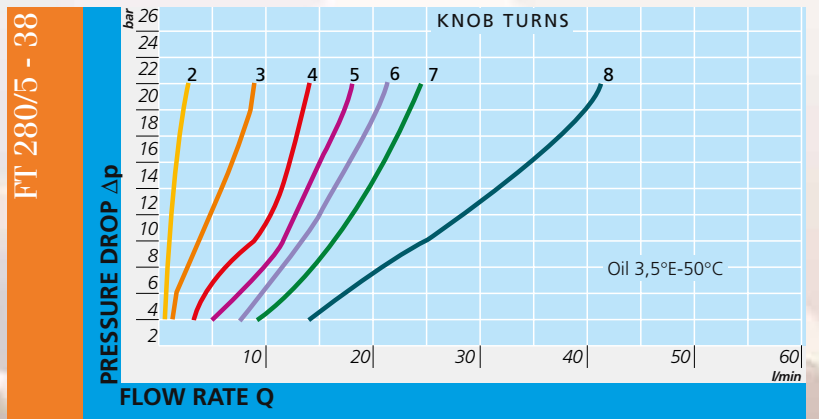
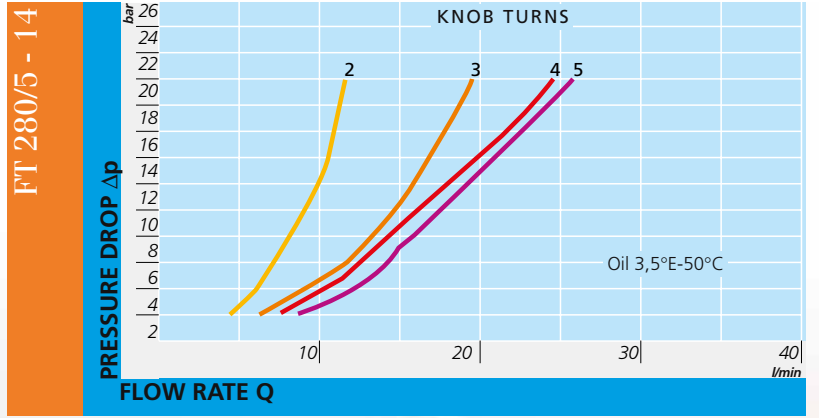
TYPE	A	B	C	D	E	$\phi F$	G	H	L	M	N	$\phi P$	$\phi Q$	OR	SCREW	WEIGHT KG
14	45	50	60,5	85,3	92,3	27	18	35	33,5	5	25,5	6	12,7	2037	M6x50	1,020
38	51	55	65	97,5	106,5	33	22	33,5	38	3,5	25,5	8	15,7	2050	M6x55	1,380
12	65	65	82,5	119,1	129,6	38	30,5	38	44,5	4	30	11	19,7	119	M6x70	2.620

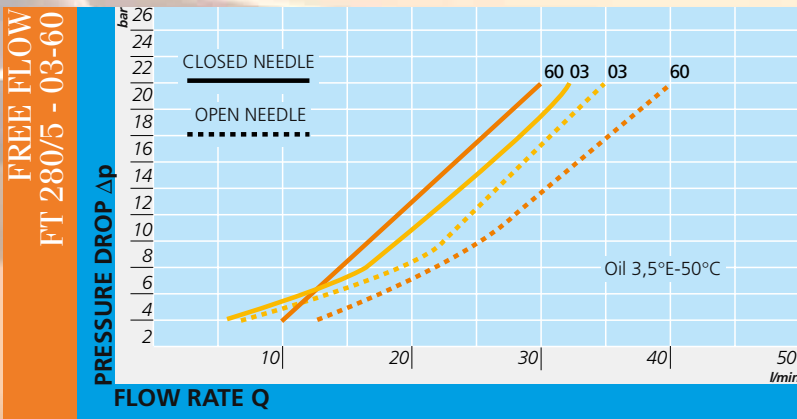
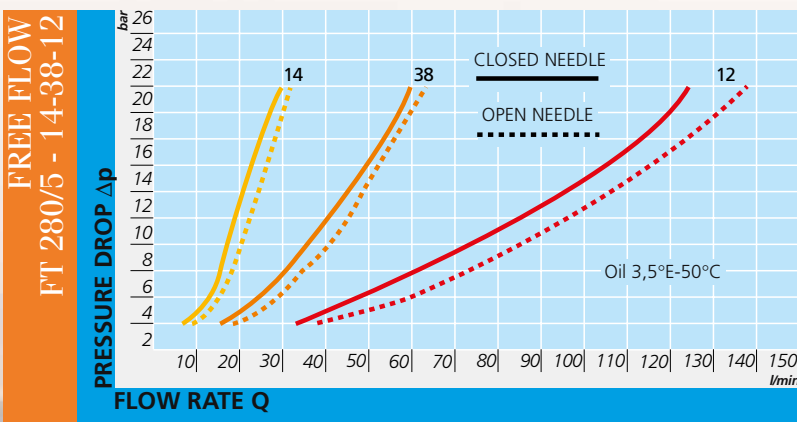
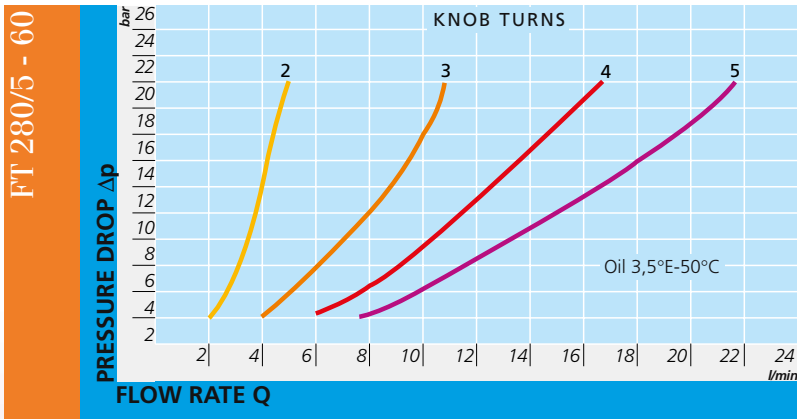
## EXAMPLE FOR ORDERING

CODE	TYPE
FT 280/5	14



FT 280/5 FLOW RATE CURVES







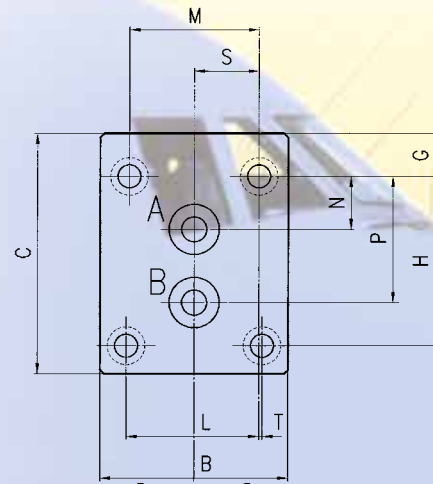
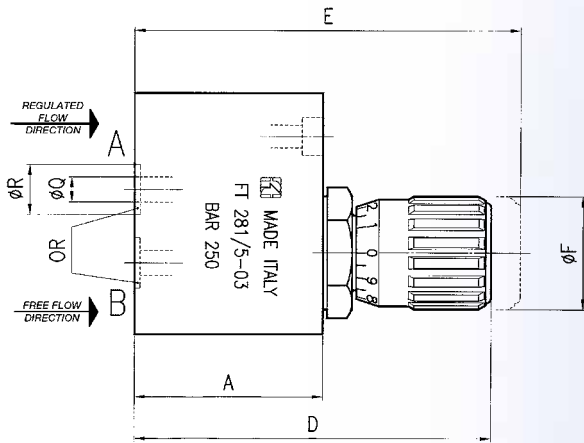
FT 281/5



**MATERIALS**

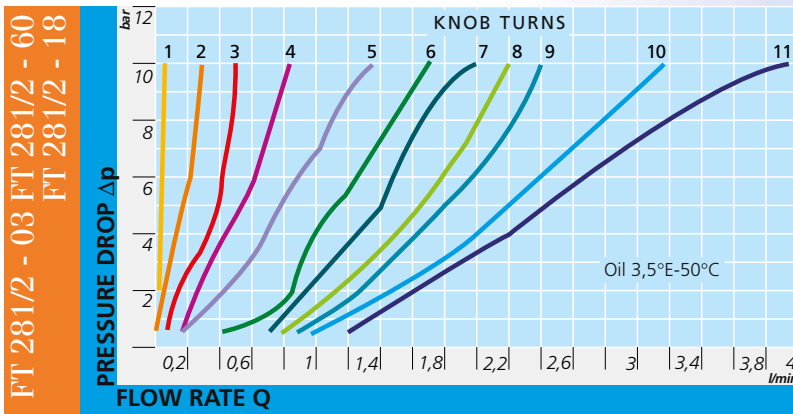
TERMINAL STRIP	11 S MN Pb 30 - UNI EN 10087
CARTRIDGE BODY	11 S MN Pb 30 - UNI EN 10087
NEEDLE	AISI 303 - UNI EN 10088
HANDWHEEL	GD AL SI 12 - UNI EN AB 46100
NIPPLE	NYLON 6
OR	NITRILE
ANTIEXTRUSION RINGS	PTFE

*All components are surface treated and protected*

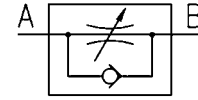


**DIMENSIONS**

TYPE	A	B	C	D	E	$\phi F$	G	H	L	M	N	P	$\phi Q$	$\phi R$	S	T	OR	SCREW	WEIGHT KG
03	38	45	55,5	72	80	22	9,25	40,5	31,75	31	12,7	30,2	5	12	15,5	0,75	108	M5x45	0,710





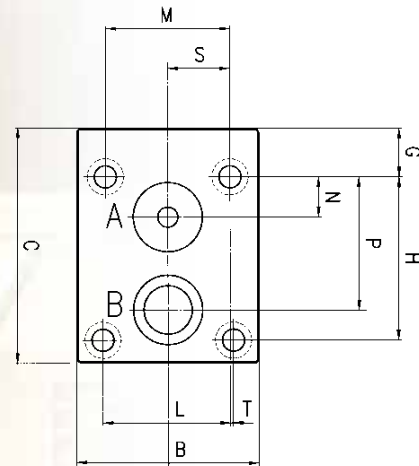
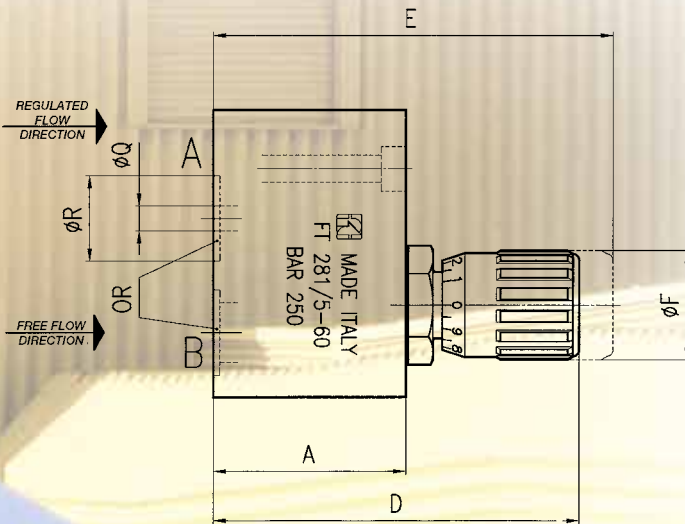


### SINGLE-ACTING MICROFINE CONTROL PLATE VALVES

They are the most suitable solution for those applications requiring precise adjustment characteristics or for reduced rate of flow. They are characterised by a great flow rate section in the direction of free flow. They are provided with plate connections mod. CETOP 03 or interchangeable with the broadly used valves. The connection seals are equipped in series. Max. working pressure 250 bar.



FT 281/5



### DIMENSIONS

TYPE	A	B	C	D	E	$\phi F$	G	H	L	M	N	P	$\phi Q$	$\phi R$	S	T	OR	SCREW	WEIGHT KG
60	39	45	58	73	81	22	12	40,5	31,75	31	10	33	5	17,2	15,5	0,75	2056	M5x45	0,760

### EXAMPLE FOR ORDERING

CODE	TYPE
FT 281/5	03
FT 281/5	60

FLUSSO LIBERO  
FT 281/5 - 03 FT 281/5 - 60

