

ADP. 5.E... DIRECTIONAL CONTROL CETOP 5/NG10

HIGH PERFORMANCES SOLENOID OPERATED VALVES

ADP.5.E...	
"D19" DC SOLENOIDS	CH. I PAGE 38
STANDARD CONNECTORS	CH. I PAGE 19

The ARON NG10 directional control valves are designed for subplate mounting with an interface in accordance with UNI ISO 4401 - 05 - 04 - 0 - 94 standard (ex CETOP R 35 H 4.2-4-05). The use of solenoids with wet armatures allows an extremely safe construction completely dispensing with the need for dynamic seal. The solenoid tube is screwed directly onto the valve casing whilst the coil is kept in position by a ring nut. Great care has been taken over the design and production of the ducts and the improvement of the spools allows relatively high flow rates to be accommodated for its size with minimal pressure drops (Δp). The operation of the directional valve is electrical. The centring is achieved by means of calibrated length springs which, once the impulse is over, immediately reposition the spool in the neutral position. The solenoids, constructed with a protection class of IP66 in accordance with BS 5490 standards, are available in direct current form and different voltage. The electrical controls are equipped with an emergency manual control inserted in the tube.

The ADP.5.E... valve has certain design features which allow it to "manage" a hydraulic power equal to $Q = 120\text{ l/min}$ with a $P = 320\text{ bar}$, maintaining a considerable safety margin. These features can be summarized as follows:

- Solenoid D19 with an optimum ratio between the power absorbed (42W) and the magnetic force
- Diameter of the spool 18 mm, with carefully designed geometry improved to compensate for the flow forces
- Compact graphite cast iron valve casing with high mechanical resistance
- Different springs, improved according to the features of the spool

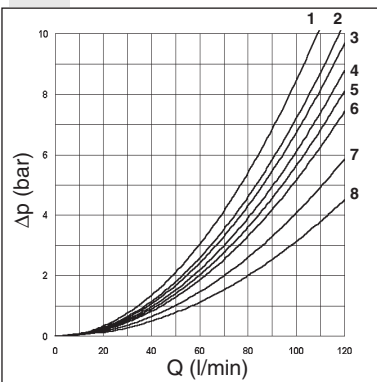
The electrical supply connectors meet DIN 43650 ISO 4400 standards; connectors are also available with built in rectifiers or pilot lights.

The recommended fluids are hydraulic mineral based oils in accordance with DIN 51524 and it is recommended that filters should be fitted to ensure a maximum contamination level of class 10 in accordance with NAS 1638, $\beta_{25} \geq 75$.

For other fluids please contact our Technical DPT.

• **The solenoids are in DC voltage only**

PRESSURE DROPS



The diagram at the side shows the pressure drop curves for spools during normal usage. The fluid used is a mineral oil with a viscosity of $46\text{ mm}^2/\text{s}$ at 40°C ; the tests have been carried out at a fluid temperature of 40°C . For higher flow rates than those in the diagram, the losses will be those expressed by the following formula:

$$\Delta p_1 = \Delta p \times (Q_1/Q)^2$$

where Δp will be the value for the losses for a specific flow rate Q which can be obtained from the diagram, Δp_1 will be the value of the losses for the flow rate Q_1 that is used.

Spool type	Connections				
	P→A	P→B	A→T	B→T	P→T
01	4	4	7	7	
02	6	6	8	8	7
03	3	3	8	8	
04	4	4	2	2	3
05	6	6	6	6	
66	4	4	8	7	
06	4	4	7	8	
14	6	4	8	6	2
15-19	2	2	5	5	
16-20	1	1	2	2	
28	4	6	6	8	2

Curve No.

ORDERING CODE

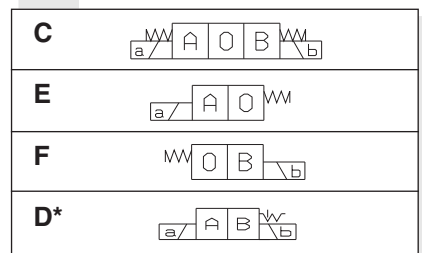
ADP	High performances directional control valve
5	CETOP 5/NG10
E	Electrical operator
**	Spools (Table next page)
*	Mounting (table 1)
*	Voltage (table 2)
**	Variants (table 3)
1	Serial No.

TAB.3 - VARIANTS (*)

VARIANTS	CODE
No variant (without connectors)	S1
Viton	SV
Rotary emergency button	P2
Adjustable spool movement	
speed control	4S
With solenoid chamber external drainage (Y)	S5
Spool movement speed control (VDC only) with $\varnothing 0.5\text{ mm}$ diameter orifice	5S
Spool movement speed control (VDC only) with $\varnothing 0.8\text{ mm}$ diameter orifice	8S

(*) All variants are considered without connectors. The connectors must be order separately. See Ch. I Page 19

TAB.1 - MOUNTING



(*) Valve with detent

TAB.2 - SOLENOID D19 (42 W)

DC VOLTAGE	
L	12V
M	24V
N	48V*
P	110V*
Z	102V*
X	205V*
W	Without DC coils

115Vac/50Hz
120Vac/60Hz
with rectifier

230Vac/50Hz
240Vac/60Hz
with rectifier

Voltage codes are not stamped on the plate, their are readable on the coils.

* Special voltage

STANDARD SPOOLS

* SPOOLS WITH PRICE INCREASING

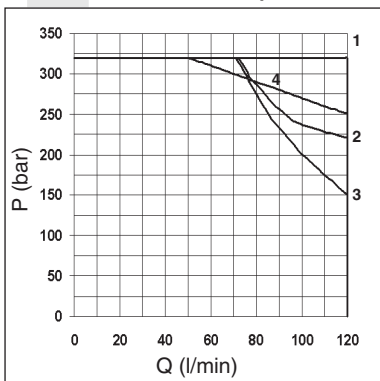
TWO SOLENOIDS, SPRING CENTRED "C MOUNTING"			
Spool type	Diagram	Covering	Transient position
01		+	
02		-	
03		-	
04*		-	
05		-	
66		-	
06		-	
14*		-	
28*		-	

TWO SOLENOIDS "D MOUNTING"			
Spool type	Diagram	Covering	Transient position
19*		-	
20*		+	

ONE SOLENOID, SIDE A "E MOUNTING"			
Spool type	Diagram	Covering	Transient position
01		+	
02		-	
03		-	
04*		-	
05		-	
66		-	
06		-	
14*		-	
15		-	
16		+	
28*		-	

ONE SOLENOID, SIDE B "F MOUNTING"			
Spool type	Diagram	Covering	Transient position
01		+	
02		-	
03		-	
04*		-	
05		-	
66		-	
06		-	
14*		-	
15		-	
16		+	
28*		-	

LIMITS OF USE (MOUNTING C-E-F)



Spool type	n° curves
01	1
02	1
03	2
04	1
05	1
66	1
06	1
14	3
15	1
16	1
28	3
19	4
20	4

The tests have been carried out with solenoids at operating temperature and a voltage 10% less than rated voltage with a fluid temperature of 50°C.

The fluid used was a mineral oil with a viscosity of 46 mm²/s at 40°C.

The values in the diagram refer to tests carried out with the oil flow in two directions simultaneously (e.g. from P to A and at the same time B to T).

In the cases where valves 4/2 and 4/3 were used with the flow in one direction only, the limits of use could have variations which may even be negative.

The tests were carried out with a counter-pressure of 2 bar at T.

1

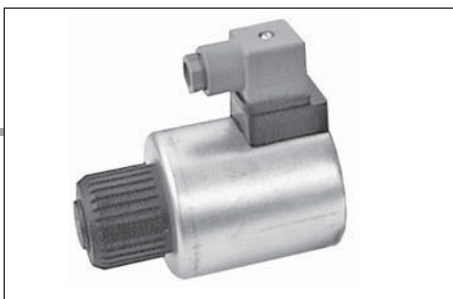
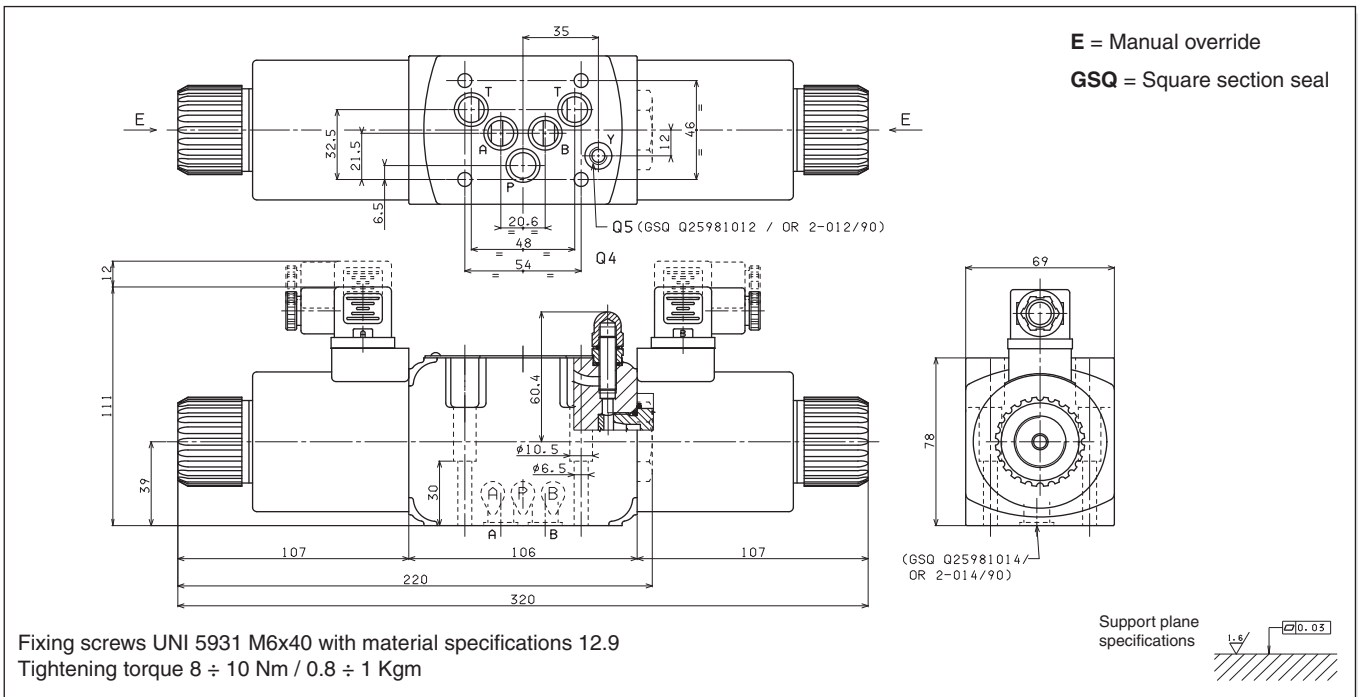
ADP.5.E... 4S variant - These ON-OFF type valves are used when a lower spool movement speed is required than it is generally available with a conventional solenoid valve in order to avoid those shocks which might otherwise compromise proper system operation. This is obtained by forcing the fluid to pass through the gap which exists between the screw thread and the M8x1 tapped thread, restricting in this way the transfer cross section between the 2 solenoid chambers. Using this variant may entail a reduction in the operational limits according to the spool used, up to the complete blocking of the change over itself. The valve operation depends on the presence of a minimum back pressure on the T line (min. 1 bar). The change over time referred to the spool stroke depends on 4 main variables:

- Applicable hydraulic power, related to the flow rate and pressure drop across the valve;
- Spool type (system configuration);
- Oil viscosity and temperature;
- Back pressure on T.

Max. operating pressure: ports P/A/B	350 bar
Max. operating pressure: port T (*)	250 bar
Max. flow	120 l/min
Max. excitation frequency	3 Hz
Duty cycle	100% ED
Fluid viscosity	10 ÷ 500 mm ² /s
Fluid temperature	-25°C ÷ 75°C
Ambient temperature	-25°C ÷ 60°C
Max. contamination level	class 10 in accordance with NAS 1638 with filter β ₂₅ ≥ 75
Weight with one DC solenoid	5 Kg
Weight with two DC solenoids	6,5 Kg

(*) Pressure dynamic allowed for 2 millions of cycles
 Pressure on port T valid in case Y is blocked (no external drainage). Normally the external drained is blocked with a plug S.T.E.I M6x6 UNI 5923

ADP.5.E... S5 variant - These are valves with solenoid chambers drainage separated from the T line, obtained on CETOP RO5 interface and characterized by the letter Y. This solution allows operation with up to 320 bar max. back pressure on the T line while using only 12.9 material fixing screws to ensure maximum solenoid valve mounting safety and supplementary drainage.

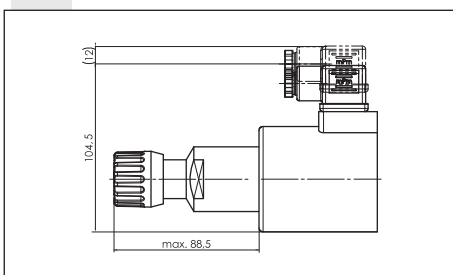


“D19” DC SOLENOIDS



Type of protection (in relation to the connector used)	IP 66
Number of cycle	18.000/h
Supply tolerance	±10%
Ambient temperature	-54°C ÷ 60°C
Duty cycle	100% ED
Max static pressure	210 bar
Insulation class wire	H
Weight	1,63 Kg

P2 ROTARY EMERGENCY



VOLTAGE (V)	MAX WINDING TEMPERATURE (AMBIENT TEMPERATURE 25°C)	RATED POWER (W)	RESISTANCE AT 20°C (OHM) ±10%
12V	105°C	42	3.43
24V	105°C	42	13.71
48V*	105°C	42	55
102V*	105°C	42	248
110V*	105°C	42	288
205V*	105°C	42	1000

* Special voltage ETD19 - 03/2000/e