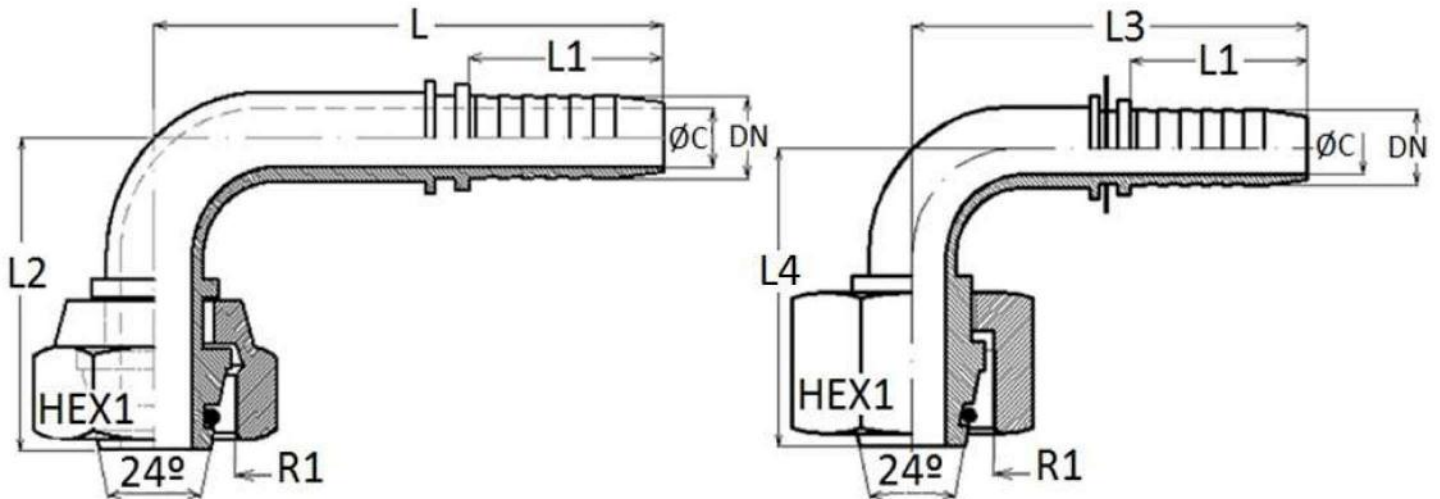


Standard series

Metric fittings

## Metric swivel female with o'ring 24° cone (90° Elbow)

Stainless Steel AISI 316-L



Part n°	DN	ØD1	Serie	R1	L	L1	L2	L3	L4	HEX 1	ØC
84305120603	3/16"	6	L	M12x1.5	46.5	24	30	-	-	14	3
84305120604	1/4"	6	L	M12x1.5	51	28	30	-	-	14	4
84305140804	1/4"	8	L	M14x1.5	-	28	-	55	30.5	17	4
84305161004	1/4"	10	L	M16x1.5	-	28	-	56	30	14	4
84305161005	5/16"	10	L	M16x1.5	60	28	-	55.8	31.5	19	5.5
84305161006	3/8"	10	L	M16x1.5	-	29.5	40	-	-	19	7
84305181204	1/4"	12	L	M18x1.5	-	28	-	56	33	22	4
84305181205	5/16"	12	L	M18x1.5	-	28	-	63	38	22	5.5
84305181206	3/8"	12	L	M18x1.5	-	29.5	-	68	42	22	7
84305221508	1/2"	15	L	M22x1.5	-	29.5	-	73	45	27	9.5
84305261810	5/8"	18	L	M26x1.5	-	34	-	85	53.5	32	12
84305302212	3/4"	22	L	M30x2	-	39	-	106	65	36	15
84305362816	1"	28	L	M36x2	126	47	77	-	-	41	19
84305453520	1" 1/4	35	L	M45x2	-	54.5	-	153	83	50	26
84305524224	1" 1/2	42	L	M52x2	-	58	-	175.5	93.5	60	32
84305140603	3/16"	6	S	M14x1.5	50	24	35	-	-	14	3
84305140604	1/4"	6	S	M14x1.5	54	28	35	-	-	17	4
84305160804	1/4"	8	S	M16x1.5	-	28	-	54	33	19	4
84305181004	1/4"	10	S	M18x1.5	-	28	-	56	31	22	4
84305201205	5/16"	12	S	M20x1.5	-	28	-	58	34	24	5.5
84305201206	3/8"	12	S	M20x1.5	-	29.5	-	65	39	24	7
84305221406	3/8"	14	S	M22x1.5	-	29.5	-	62	38.5	27	7
84305241608	1/2"	16	S	M24x1.5	-	29.5	-	72.5	51.5	30	9.5
84305302010	5/8"	20	S	M30x2	-	34	-	85	56	36	12
84305302012	3/4"	20	S	M30x2	-	39	-	97	68	36	15
84305362512	3/4"	25	S	M36x2	-	39	-	104	64.5	46	15
84305362516	1"	25	S	M36x2	126	47	79.5	-	-	46	19

Standard series

Metric fittings

## Metric swivel female with o'ring 24° cone (90° Elbow)

Stainless Steel AISI 316-L

Part n°	DN	ØD1	Serie	R1	L	L1	L2	L3	L4	HEX 1	ØC
<b>84305423016</b>	1"	30	S	M42x2	127	47	79	-	-	50	19
<b>84305523820</b>	1" 1/4	38	S	M52x2	-	54.5	-	151.5	85	60	26