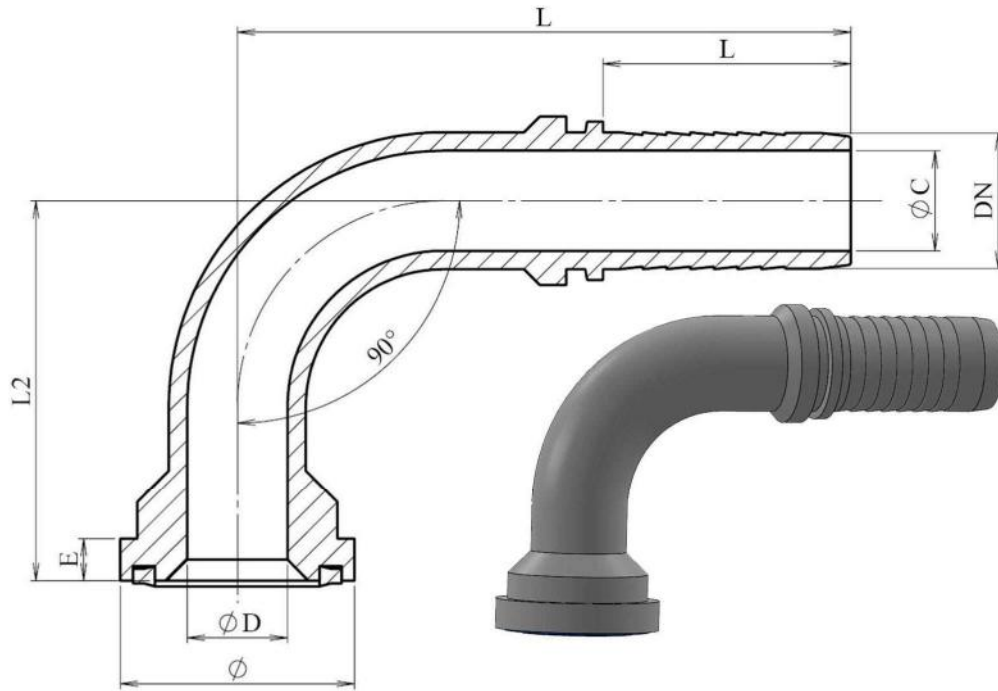


Standard series

SAE Flanges

3000 PSI SAE Flange (90° Elbow) / Code 61

Stainless Steel AISI 316-L



Part nº	DN	Flange	L	L1	L2	ØC	ØD	E
841830808	1/2"	30,2	72	30.5	46	9.5	13	6.8
841831208	1/2"	38,1	72	30.5	45	7	15	6.8
841831210	5/8"	38,1	85	34	52	12	15	6.8
841831212	3/4"	38,1	102	39	64	9.5	15	6.8
841831612	3/4"	44,5	102	39	62	9.5	19	8
841831616	1"	44,5	126	47	76	19	19	8
841831620	1"1/4	44,5	155	54.5	98	26		
841832016	1"	50,8	127	47	81	19	26	8
841832020	1"1/4	50,8	149	54.5	92	26	26	8
841832420	1"1/4	60,3	142	54.5	90	26	32	8
841832424	1"1/2	60,3	180	58	100	32	32	8
841833224	1"1/2	71,4	164	58	106	32	32	9.5
841833232	2"	71,4	220	72	121	44	44	9.5