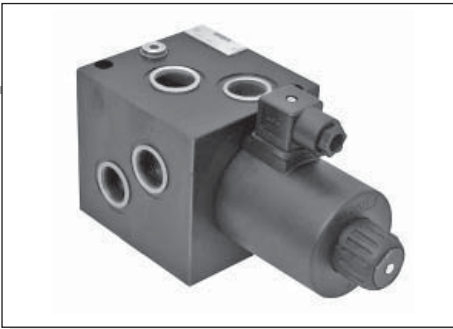


ADL10.6... FLOW DIVERSION VALVES



1



The 6 way flow diversion valves are special solenoid valves which allow the simultaneous connection of two systems.

In order to obtain valve's working at pressure of 250 bar up to 320 bar (external drainage) the G 1/8" BSP plug must be removed to Y connector.

Max. pressure (without drainage, Y plugged)	250 bar
Max. pressure (external drainage)	320 bar
Max. flow	80 l/min
Fluid viscosity	10 ÷ 500 mm ² /s
Fluid temperature	-25°C ÷ 75°C
Ambient temperature	-25°C ÷ 60°C
Max. contamination level	class 10 in accordance with NAS 1638 with filter $\beta_{25} \geq 75$
Weight	3,6 Kg

ADL10.6...	
"A16" DC COILS	CH. I PAGE 69
STANDARD CONNECTORS	CH. I PAGE 19

ORDERING CODE

- ADL10** Flow diversion valves NG10
- 6** No. of way
- J** Connectors 3/4"BSP
- I** Without drainage Y connector plugged
- *** Voltage (see table 1)
- **** Variants (see table 2)
- 1** Serial No.

TAB.1 - A16 COIL

DC VOLTAGE **	
L	12V
M	24V
N	48V*
P	110V*
Z	102V*
X	205V*
W	Without DC coil

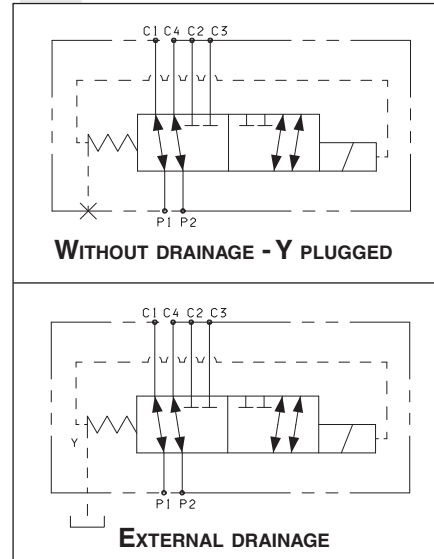
115Vac/50Hz
120Vac/60Hz
with rectifier

230Vac/50Hz
240Vac/60Hz
with rectifier

Voltage codes are not stamped on the plate, they are readable on the coils.

* Special voltage
** Technical data see page I • 68

DRAINS AND HYDRAULIC SYMBOLS



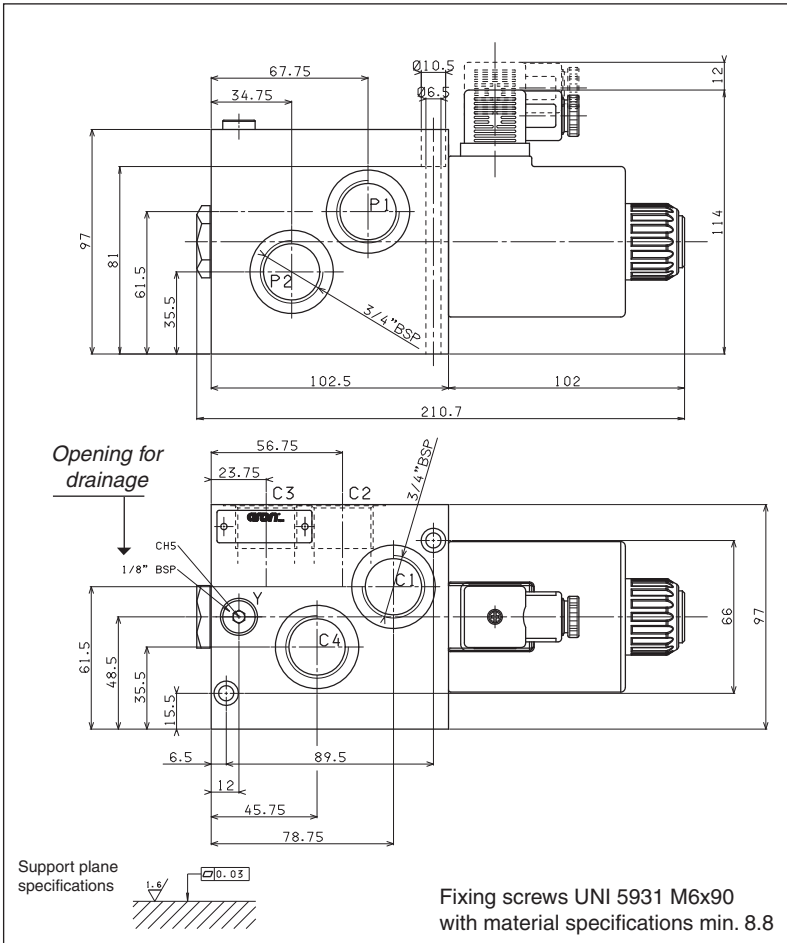
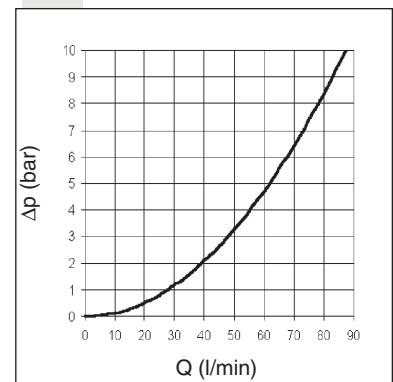
TAB.2 - VARIANTS

VARIANT	CODE
No variant (without connectors)	S1(*)
Viton	SV(*)
Emergency button	ES(*)
Rotary emergency button	P2(*)

Other variants available on request.

(*) Bobine con connessione Hirschmann fornite senza connettori. I connettori possono essere ordinati separatamente, cap. I pag. 19.

PRESSURE DROPS





"A16" DC COILS FOR ADL10 AND CDL10



Type of protection (in relation to the connector used)	IP 65
Number of cycles	18.000/h
Supply tolerance	±10%
Ambient temperature	-30°C ÷ 60°C
Duty cycle	100% ED
Insulation class wire	H
Weight	0,9 Kg

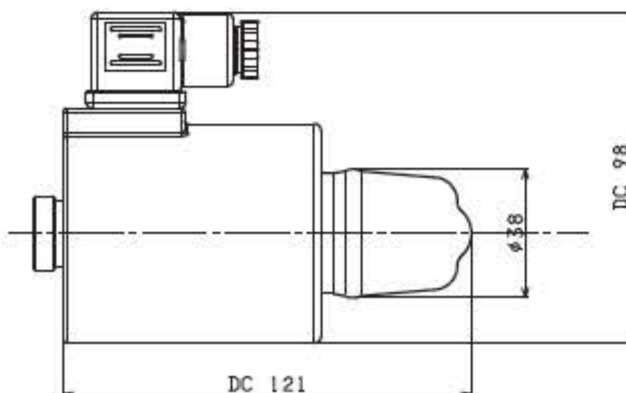
VOLTAGE (V)	MAX WINDING TEMPERATURE (AMBIENT TEMPERATURE 25°C)	RATED POWER (W)	RESISTANCE AT 20°C (OHM) ±7%
12V	106°C	45	3.2
24V	113°C	45	12.4
48V*	-	45	-
102V*(**)	-	45	-
110V*(**)	118°C	45	268
205V*(**)	-	45	-

* Special voltages

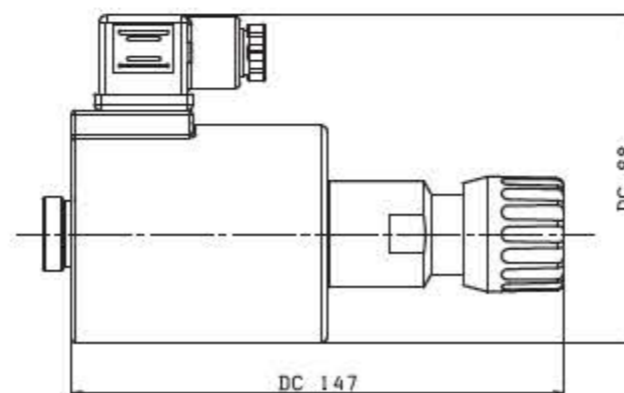
** The european low voltage directive is applied to electrical equipments used at a nominal voltages between 50 and 1000 VAC or 75 and 1500 VDC. In conformity with the low directive each part of the manifold or the subplate on which the valve is mounted should be connected to a protective earth with a resistance less than 0.1 ohms.

EMERGENCY (COILS WITH HIRSCHMANN CONNECTION)

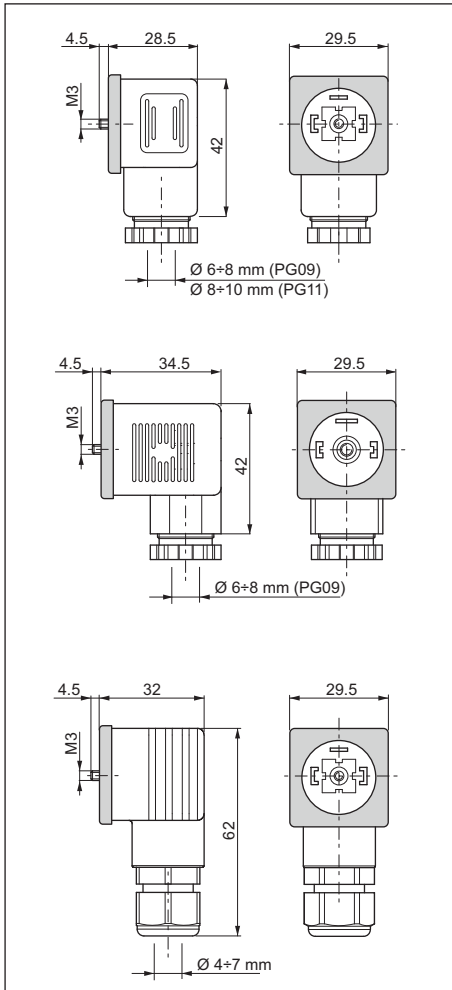
MANUAL WITHOUT CONNECTOR (ES)
MANUAL WITH CONNETOR (E1)



ROTARY WITHOUT CONNECTOR (P2)
ROTAN ROTARY WITH CONNETOR (P1)



CONNECTORS DIRECTIONAL CONTROL VALVES IN ACCORDANCE WITH DIN 43650/ISO4400



Connector	Protection level	Type	Cable gland	Code
Standard	IP65	Black color	PG09	V86 05 0002
		Grey color	PG09	V86 05 0004
		Black color	PG11	V86 05 0006
		Grey color	PG11	V86 05 0008
Lens cover with pilot light (*)	IP65	12 VAC/VDC	PG09	V86 10 0018
		24 VAC/VDC	PG09	V86 10 0012
		115 VAC/VDC	PG09	V86 10 0020
		230 VAC/VDC	PG09	V86 10 0022

Screw tightening torque: 0.60 Nm

Connector	Protection level	Type	Cable gland	Code
With rectifier (*) Inlet voltage 12÷230 VAC Outlet voltage 9÷205 VDC	IP65	Black color	PG09	V86 20 0002
		Grey color	PG09	V86 20 0004
Lens cover with pilot light and rectifier (*) Inlet voltage 12÷230 VAC Outlet voltage 9÷205 VDC	IP65	12 VAC	PG09	V86 25 0018
		24 VAC	PG09	V86 25 0019
		48 VAC	PG09	V86 25 0020
		115 VAC	PG09	V86 25 0021
		230 VAC	PG09	V86 25 0022

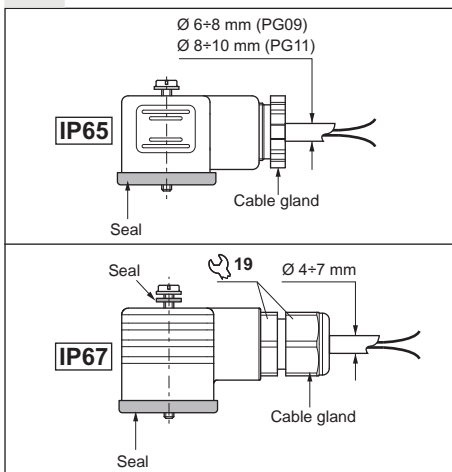
Screw tightening torque: 0.60 Nm

Connector	Protection level	Type	Cable gland	Code
With protection level IP67	IP67	Black color	—	V86 28 0001
		Grey color	—	V86 28 0002

Screw tightening torque: 0.60 Nm

(*) Don't use for proportional versions

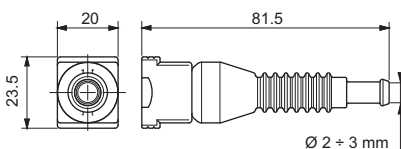
ELECTRICAL FEATURES OF CONNECTORS



Description	IP65	IP67
AC rated voltage	Max. 250 V	Max. 250 V
DC rated voltage	Max. 300 V	Max. 300 V
Pin contact nominal current	10A	10A
Pin contact max. current	16A	16A
Max. section cable	1.5 mm ²	1.5 mm ²
Cable gland PG09 - M16x1,5	Ø cable 6 ÷ 8 mm	Ø cable 4 ÷ 7 mm
Cable gland PG11 - G 1/2" - M20x1,5	Ø cable 8 ÷ 10 mm	—
Protection level	IP65 EN60529	IP67 EN60529
Insulation class	VDE 0110-1/89	VDE 0110-1/89
Operating temperature	-40°C ÷ 90°C	-20°C ÷ 80°C

The degrees of protection indicate is guaranteed only if the connectors were properly mounted with his original seals.

AMP JUNIOR CONNECTORS



Connector	Type	Cable section	Pin contact max current	Code
AMP Junior connector Timer 2 contact	Black color	0,5 ÷ 1,5 mm ²	10A	RKRC0808000