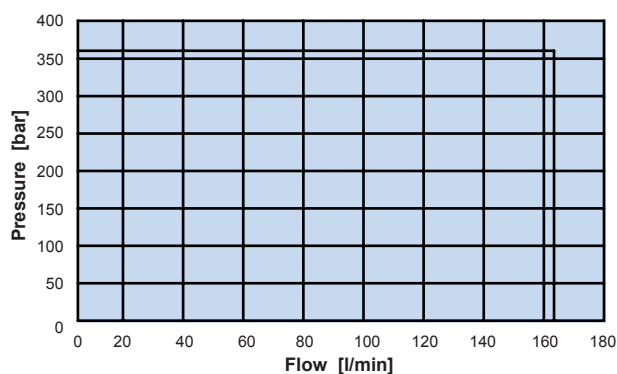
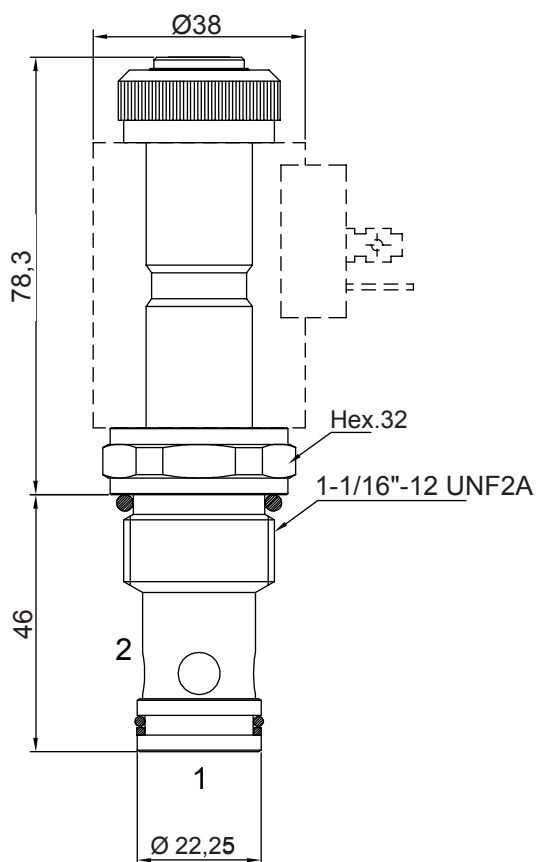
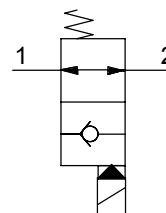


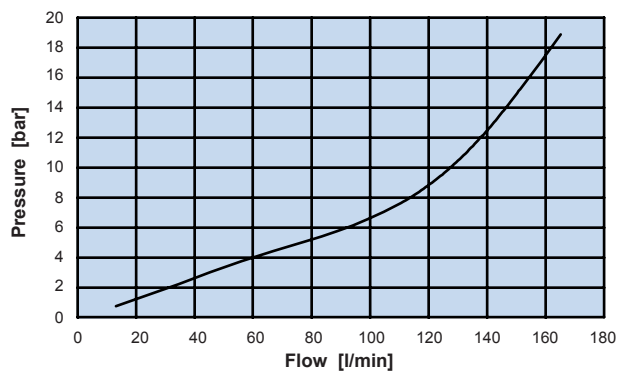
**2 WAYS 2 POSITIONS ELECTRIC VALVE, PILOT POPPET OPERATED NO**

- Flow ..... **150 l/min**
- Max working pressure ..... **350 bar**
- Leakage ..... **0,25 cc/min**
- Seals ..... **NBR**
- Cavity ..... **C240000**
- Cartridge tightening torque ..... **50 Nm**
- Ring nut tightening torque ..... **5 Nm**
- Weight (with coil) ..... **0,58 Kg**
- Coil **CT-9801** to be ordered separately



Application limits from 2 to 1 and 1 to 2

91



Pressure drop from 2 to 1 and from 1 to 2

**Ordering code**

**0 5 6 4 0 0 0 0 0 0**

