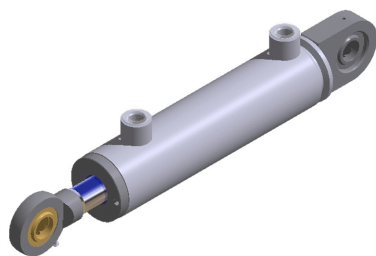
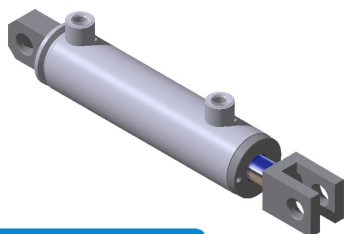
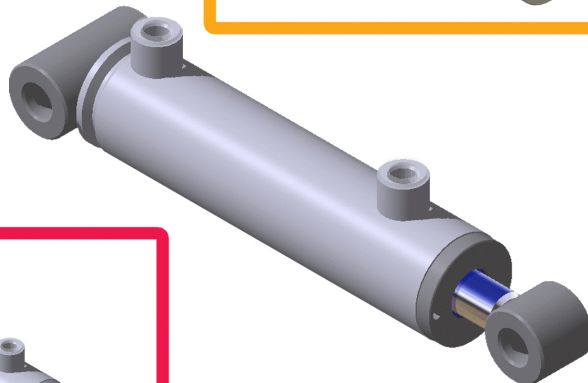
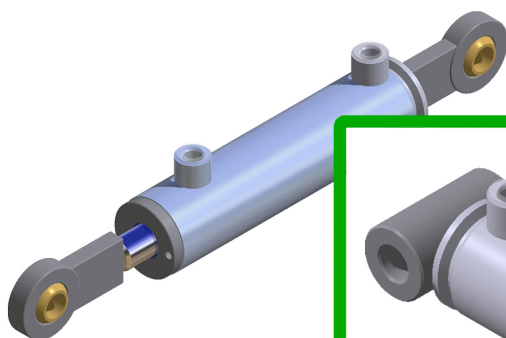
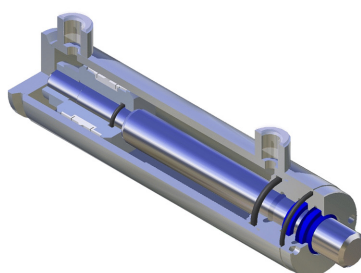
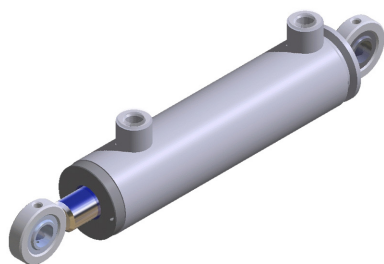


# OUDSHOORN

## HYDRAULICS

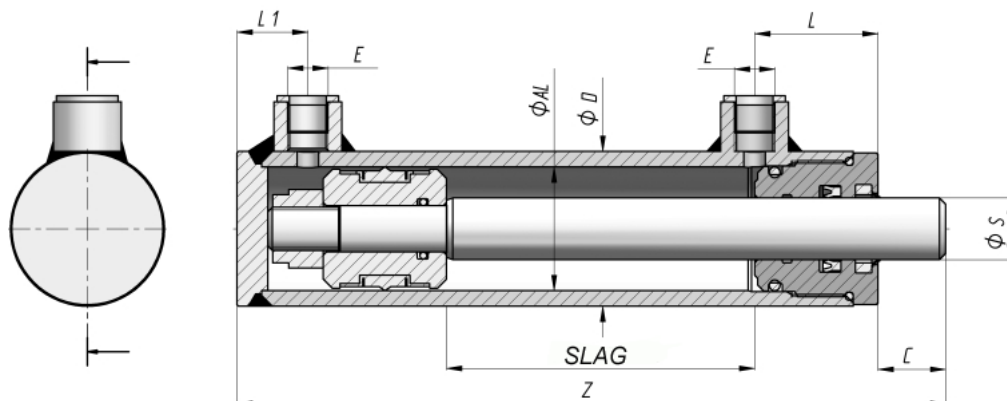
### MIDLOCK STANDAARD ASSORTIMENT CILINDERS



**Inhoudsopgave**

	<b>pagina</b>
Hydraulische cilinder dubbelwerkend serie YDK	2 t/m 6
Hydraulische cilinder dubbelwerkend serie YDM	7 t/m 9
Hydraulische cilinder dubbelwerkend serie YDLO	10 t/m 13
Hydraulische cilinder dubbelwerkend serie YDBU	14 t/m 17
Hydraulische cilinder dubbelwerkend serie YDGA	18 t/m 21
Hydraulische cilinder dubbelwerkend serie YDC	22 t/m 25
Hydraulische cilinder dubbelwerkend serie YDGL	26 t/m 29
Hydraulische verdringer cilinder enkelwerkend serie YSK	30
Hydraulische verdringer cilinder enkelwerkend serie YSG	31

Hydraulische cilinder dubbelwerkend serie YDK

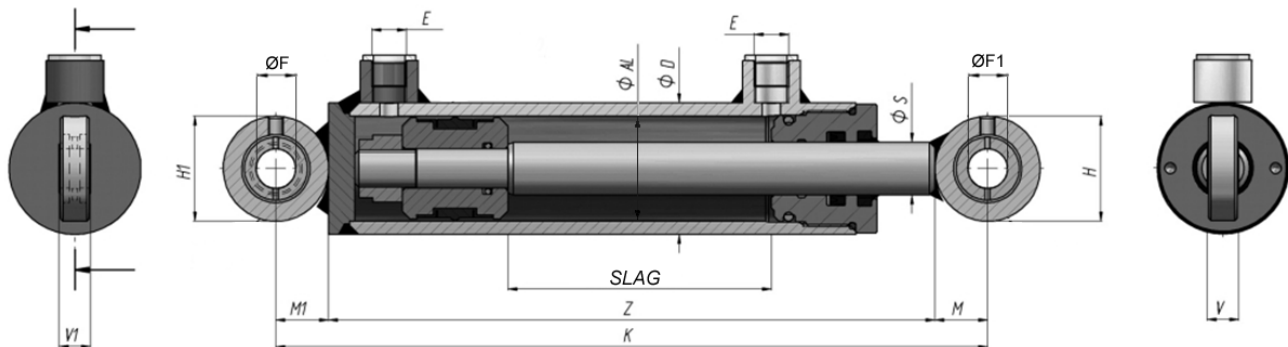


Bestelnummer	ØD	ØAL	ØS	SLAG	Z	kg.	C	E	L	L1
YDK025160050	35	25	16	50	135	0,70	17	1/4"	33	15
YDK025160100	35	25	16	100	185	0,95	17	1/4"	33	15
YDK025160150	35	25	16	150	235	1,25	17	1/4"	33	15
YDK025160200	35	25	16	200	285	1,50	17	1/4"	33	15
YDK032200050	42	32	20	50	155	1,30	16	1/4"	33	20
YDK032200100	42	32	20	100	205	1,60	16	1/4"	33	20
YDK032200150	42	32	20	150	255	1,95	16	1/4"	33	20
YDK032200200	42	32	20	200	305	2,30	16	1/4"	33	20
YDK032200250	42	32	20	250	355	2,70	16	1/4"	33	20
YDK032200300	42	32	20	300	405	3,00	16	1/4"	33	20
YDK032200400	42	32	20	400	505	3,70	16	1/4"	33	20
YDK032200500	42	32	20	500	605	4,40	16	1/4"	33	20
YDK040200100	50	40	20	100	230	2,27	22	1/4"	40	23
YDK040200150	50	40	20	150	280	2,67	22	1/4"	40	23
YDK040200200	50	40	20	200	330	3,05	22	1/4"	40	23
YDK040200250	50	40	20	250	380	3,45	22	1/4"	40	23
YDK040200300	50	40	20	300	430	3,85	22	1/4"	40	23
YDK040200350	50	40	20	350	480	4,27	22	1/4"	40	23
YDK040200400	50	40	20	400	530	4,65	22	1/4"	40	23
YDK040200450	50	40	20	450	580	5,08	22	1/4"	40	23
YDK040200500	50	40	20	500	630	5,49	22	1/4"	40	23
YDK040250100	50	40	25	100	230	2,50	22	1/4"	40	23
YDK040250150	50	40	25	150	280	2,95	22	1/4"	40	23
YDK040250200	50	40	25	200	330	3,39	22	1/4"	40	23
YDK040250250	50	40	25	250	380	3,85	22	1/4"	40	23
YDK040250300	50	40	25	300	430	4,32	22	1/4"	40	23
YDK040250350	50	40	25	350	480	4,79	22	1/4"	40	23
YDK040250400	50	40	25	400	530	5,26	22	1/4"	40	23
YDK040250450	50	40	25	450	580	5,72	22	1/4"	40	23
YDK040250500	50	40	25	500	630	6,20	22	1/4"	40	23
YDK040250550	50	40	25	550	680	6,60	22	1/4"	40	23
YDK040250600	50	40	25	600	730	7,13	22	1/4"	40	23
YDK050250100	60	50	25	100	240	3,29	22	3/8"	43	26
YDK050250150	60	50	25	150	290	3,83	22	3/8"	43	26
YDK050250200	60	50	25	200	340	4,34	22	3/8"	43	26

Specificaties:

Constante snelheid: 0,2 m/s  
 Maximale snelheid: 0,5 m/s  
 Piek druk maximaal: 250 bar  
 Werktemperatuur °C: -25°C +80°C  
 Stang: Staal UNI C45  
 Chrom 25 Micron +/- 5  
 Buis: Staal DIN2393 - ISO H9

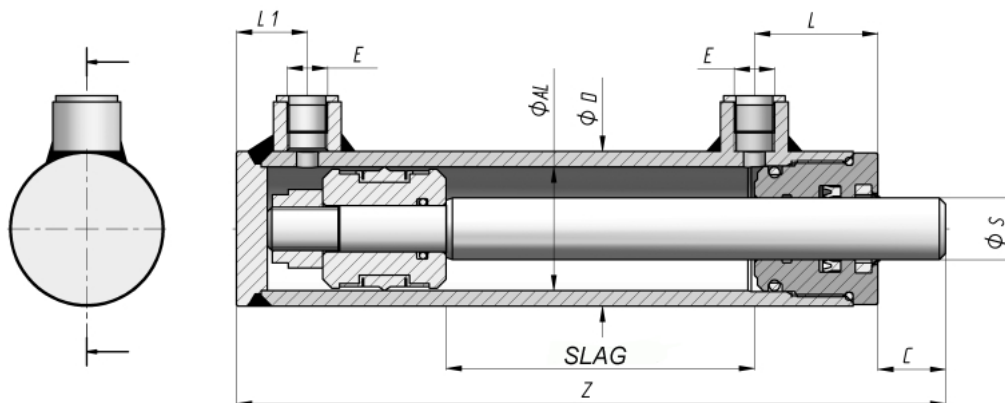
Hydraulische cilinder dubbelwerkend serie YDC



Bestelnummer	ØD	ØAL	ØS	slag	K	Z	kg.	E	ØF ØF1	H H1	V V1	MM1
YDC080400200	92	80	40	200	455	380	12,18	1/2"	30 75	22	37,5	
YDC080400250	92	80	40	250	505	430	13,32	1/2"	30 75	22	37,5	
YDC080400300	92	80	40	300	555	480	14,45	1/2"	30 75	22	37,5	
YDC080400400	92	80	40	400	655	580	16,66	1/2"	30 75	22	37,5	
YDC080400500	92	80	40	500	755	680	18,87	1/2"	30 75	22	37,5	
YDC080400600	92	80	40	600	855	780	21,08	1/2"	30 75	22	37,5	
YDC080400800	92	80	40	800	1055	980	25,60	1/2"	30 75	22	37,5	
YDC080401000	92	80	40	1000	1255	1180	30,02	1/2"	30 75	22	37,5	
YDC080500200	92	80	50	200	455	380	13,45	1/2"	30 75	22	37,5	
YDC080500250	92	80	50	250	505	430	14,83	1/2"	30 75	22	37,5	
YDC080500300	92	80	50	300	555	480	16,25	1/2"	30 75	22	37,5	
YDC080500400	92	80	50	400	655	580	19,05	1/2"	30 75	22	37,5	
YDC080500500	92	80	50	500	755	680	21,81	1/2"	30 75	22	37,5	
YDC080500600	92	80	50	600	855	780	25,10	1/2"	30 75	22	37,5	
YDC080500800	92	80	50	800	1055	980	30,60	1/2"	30 75	22	37,5	
YDC080501000	92	80	50	1000	1255	1180	36,10	1/2"	30 75	22	37,5	
YDC100500200	115	100	50	200	504	410	21,68	1/2"	40 94	28	47	
YDC100500250	115	100	50	250	554	460	23,68	1/2"	40 94	28	47	
YDC100500300	115	100	50	300	604	510	25,18	1/2"	40 94	28	47	
YDC100500400	115	100	50	400	704	610	28,68	1/2"	40 94	28	47	
YDC100500500	115	100	50	500	804	710	32,18	1/2"	40 94	28	47	
YDC100500600	115	100	50	600	904	810	35,68	1/2"	40 94	28	47	
YDC100500800	115	100	50	800	1104	1010	42,68	1/2"	40 94	28	47	
YDC100501000	115	100	50	1000	1304	1210	49,68	1/2"	40 94	28	47	
YDC100600300	115	100	60	300	604	510	27,68	1/2"	40 94	28	47	
YDC100600400	115	100	60	400	704	610	31,68	1/2"	40 94	28	47	
YDC100600500	115	100	60	500	804	710	35,68	1/2"	40 94	28	47	
YDC100600600	115	100	60	600	904	810	39,68	1/2"	40 94	28	47	
YDC100600800	115	100	60	800	1104	1010	48,18	1/2"	40 94	28	47	
YDC100601000	115	100	60	1000	1304	1210	56,68	1/2"	40 94	28	47	

Specificaties:  
 Constante snelheid: 0,2 m/s  
 Maximale snelheid: 0,5 m/s  
 Piek druk maximaal: 250 bar  
 Werktemperatuur °C:  
 -25° + 80°  
 Stang: staal UNI C45  
 Chrom 25 Micron +/- 5  
 Buis: staal 52.3  
 DIN2393 - ISO H9

## Hydraulische cilinder dubbelwerkend serie YDK



Bestelnummer	ØD	ØAL	ØS	SLAG	Z	kg.	C	E	L	L1
YDK050250250	60	50	25	250	390	4,85	22	3/8"	43	26
YDK050250300	60	50	25	300	440	5,35	22	3/8"	43	26
YDK050250350	60	50	25	350	490	5,94	22	3/8"	43	26
YDK050250400	60	50	25	400	540	6,40	22	3/8"	43	26
YDK050250450	60	50	25	450	590	7,30	22	3/8"	43	26
YDK050250500	60	50	25	500	640	7,43	22	3/8"	43	26
YDK050250550	60	50	25	550	690	8,06	22	3/8"	43	26
YDK050250600	60	50	25	600	740	8,46	22	3/8"	43	26
YDK050250800	60	50	25	800	940	10,71	22	3/8"	43	26
YDK050251000	60	50	25	1000	1140	12,87	22	3/8"	43	26
YDK050300150	60	50	30	150	290	4,11	22	3/8"	43	26
YDK050300200	60	50	30	200	340	4,74	22	3/8"	43	26
YDK050300250	60	50	30	250	390	5,35	22	3/8"	43	26
YDK050300300	60	50	30	300	440	5,97	22	3/8"	43	26
YDK050300350	60	50	30	350	490	6,55	22	3/8"	43	26
YDL050300400	60	50	30	400	540	7,20	22	3/8"	43	26
YDK050300450	60	50	30	450	590	7,80	22	3/8"	43	26
YDK050300500	60	50	30	500	640	8,42	22	3/8"	43	26
YDK050300550	60	50	30	550	690	9,04	22	3/8"	43	26
YDK050300600	60	50	30	600	740	9,64	22	3/8"	43	26
YDK050300700	60	50	30	700	840	10,85	22	3/8"	43	26
YDK050300800	60	50	30	800	940	12,10	22	3/8"	43	26
YDK050301000	60	50	30	1000	1140	14,57	22	3/8"	43	26
YDK060300100	70	60	30	100	260	4,82	23	3/8"	50	30
YDK060300150	70	60	30	150	310	5,55	23	3/8"	50	30
YDK060300200	70	60	30	200	360	6,20	23	3/8"	50	30
YDK060300250	70	60	30	250	410	6,87	23	3/8"	50	30
YDK060300300	70	60	30	300	460	7,55	23	3/8"	50	30
YDK060300350	70	60	30	350	510	8,20	23	3/8"	50	30
YDK060300400	70	60	30	400	560	8,90	23	3/8"	50	30
YDK060300450	70	60	30	450	610	9,53	23	3/8"	50	30
YDK060400500	70	60	30	500	660	10,25	23	3/8"	50	30
YDK060300550	70	60	30	550	710	10,86	23	3/8"	50	30
YDK060300600	70	60	30	600	760	11,60	23	3/8"	50	30
YDK060300800	70	60	30	800	960	14,26	23	3/8"	50	30

### Specificaties:

Constate snelheid: 0,2 m/s

Maximale snelheid: 0,5 m/s

Piek druk maximaal: 250 bar

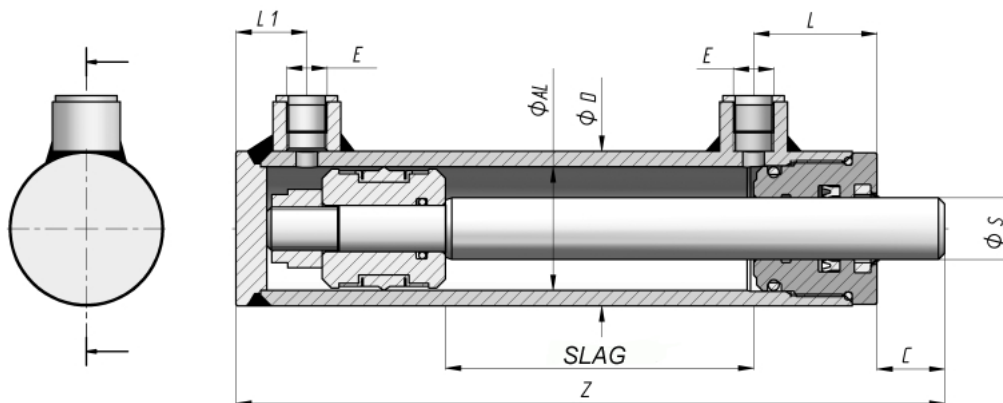
Werktemperatuur °C: -25°C +80°C

Stang: Staal UNI C45

Chroom 25 Micron +/- 5

Buis: Staal DIN2393 - ISO H9

## Hydraulische cilinder dubbelwerkend serie YDK

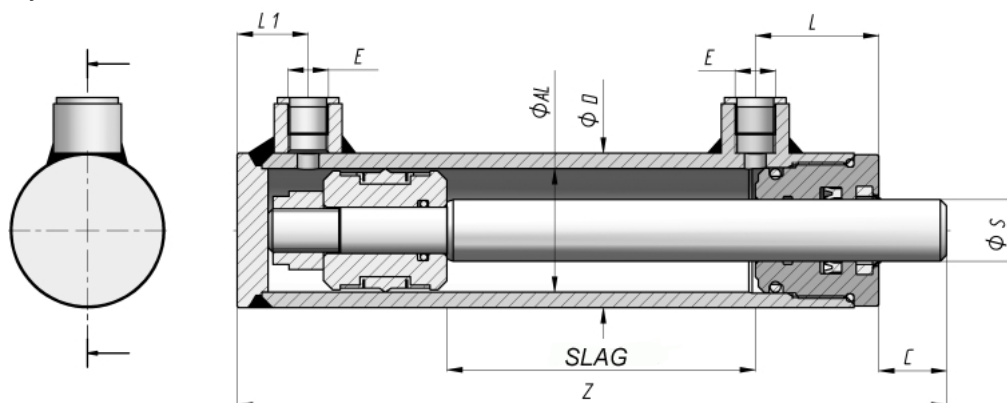


Bestelnummer	ØD	ØAL	ØS	SLAG	Z	kg.	C	E	L	L1
YDK060301000	70	60	30	1000	1160	17,00	23	3/8"	50	30
YDK060350100	70	60	35	100	260	5,07	23	3/8"	50	30
YDK060350150	70	60	35	150	310	5,85	23	3/8"	50	30
YDK060350200	70	60	35	200	360	6,60	23	3/8"	50	30
YDK060350250	70	60	35	250	410	7,40	23	3/8"	50	30
YDK060350300	70	60	35	300	460	8,15	23	3/8"	50	30
YDK060350350	70	60	35	350	510	8,94	23	3/8"	50	30
YDK060350400	70	60	35	400	560	9,72	23	3/8"	50	30
YDK060350450	70	60	35	450	610	10,47	23	3/8"	50	30
YDK060350500	70	60	35	500	660	11,25	23	3/8"	50	30
YDK060350550	70	60	35	550	710	12,00	23	3/8"	50	30
YDK060350600	70	60	35	600	760	12,81	23	3/8"	50	30
YDK060350800	70	60	35	800	960	1,587	23	3/8"	50	30
YDK060351000	70	60	35	1000	1160	18,93	23	3/8"	50	30
YDK060400200	70	60	40	200	360	7,25	23	3/8"	50	30
YDK060400250	70	60	40	250	410	8,14	23	3/8"	50	30
YDK060400300	70	60	40	300	460	9,03	23	3/8"	50	30
YDK060400350	70	60	40	350	510	9,90	23	3/8"	50	30
YDK060400400	70	60	40	400	560	10,79	23	3/8"	50	30
YDK060400450	70	60	40	450	610	11,64	23	3/8"	50	30
YDK060400500	70	60	40	500	660	12,52	23	3/8"	50	30
YDK060400550	70	60	40	550	710	13,45	23	3/8"	50	30
YDK060400600	70	60	40	600	760	14,30	23	3/8"	50	30
YDK060400800	70	60	40	800	960	17,82	23	3/8"	50	30
YDK060401000	70	60	40	1000	1160	21,40	23	3/8"	50	30
YDK063400200	73	63	40	200	360	7,60	23	3/8"	50	30
YDK063400250	73	63	40	250	410	8,50	23	3/8"	50	30
YDK063400300	73	63	40	300	460	9,40	23	3/8"	50	30
YDK063400350	73	63	40	350	510	10,30	23	3/8"	50	30
YDK063400400	73	63	40	400	560	11,20	23	3/8"	50	30
YDK063400450	73	63	40	450	610	12,10	23	3/8"	50	30
YDK063400500	73	63	40	500	660	13,00	23	3/8"	50	30
YDK063400550	73	63	40	550	710	13,90	23	3/8"	50	30
YDK063400600	73	63	40	600	760	14,80	23	3/8"	50	30
YDK063400800	73	63	40	800	960	18,50	23	3/8"	50	30

## Specificaties:

Constante snelheid: 0,2 m/s  
 Maximale snelheid: 0,5 m/s  
 Piek druk maximaal: 250 bar  
 Werktemperatuur °C: -25°C +80°C  
 Stang: Staal UNI C45  
 Chrom 25 Micron +/- 5  
 Buis: Staal DIN2393 - ISO H9

Hydraulische cilinder dubbelwerkend serie YDK

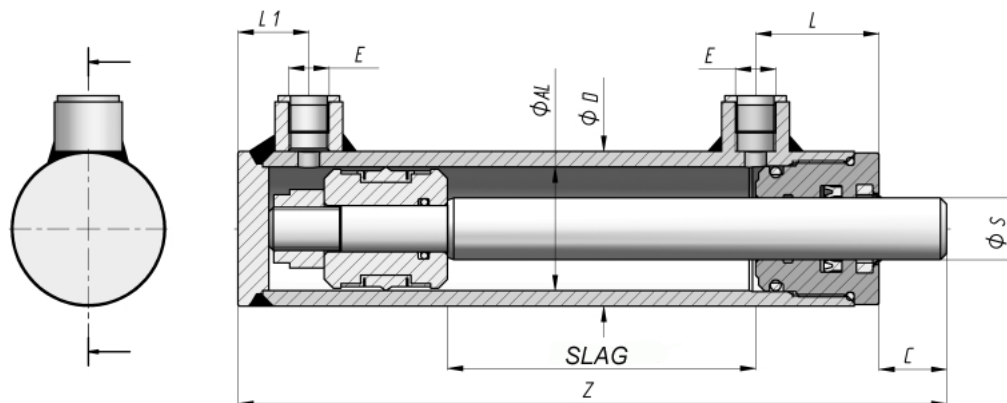


Bestelnummer	ØD	ØAL	ØS	SLAG	Z	kg.	C	E	L	L1
YDK063401000	73	63	40	1000	1160	22,10	23	3/8"	50	30
YDK070350100	80	70	35	100	260	6,09	23	3/8"	50	33
YDK070350150	80	70	35	150	310	6,95	23	3/8"	50	33
YDK070350200	80	70	35	200	360	7,74	23	3/8"	50	33
YDK070350250	80	70	35	250	410	8,60	23	3/8"	50	33
YDK070350300	80	70	35	300	460	9,40	23	3/8"	50	33
YDK070350350	80	70	35	350	510	10,26	23	3/8"	50	33
YDK070350400	80	70	35	400	560	11,00	23	3/8"	50	33
YDK070350450	80	70	35	450	610	11,88	23	3/8"	50	33
YDK070350500	80	70	35	500	660	12,60	23	3/8"	50	33
YDK070350550	80	70	35	550	710	13,66	23	3/8"	50	33
YDK070350600	80	70	35	600	760	14,20	23	3/8"	50	33
YDK070350800	80	70	35	800	960	17,56	23	3/8"	50	33
YDK070351000	80	70	35	1000	1160	21,26	23	3/8"	50	33
YDK070400200	80	70	40	200	360	8,28	23	3/8"	50	33
YDK070400250	80	70	40	250	410	9,26	23	3/8"	50	33
YDK070400300	80	70	40	300	460	10,24	23	3/8"	50	33
YDK070400350	80	70	40	350	510	11,20	23	3/8"	50	33
YDK070400400	80	70	40	400	560	12,80	23	3/8"	50	33
YDK070400450	80	70	40	450	610	13,11	23	3/8"	50	33
YDK070400500	80	70	40	500	660	14,01	23	3/8"	50	33
YDK070400550	80	70	40	550	710	15,10	23	3/8"	50	33
YDK070400600	80	70	40	600	760	15,99	23	3/8"	50	33
YDK070400800	80	70	40	800	960	19,73	23	3/8"	50	33
YDK070401000	80	70	40	1000	1160	23,51	23	3/8"	50	33
YDK080400200	92	80	40	200	380	11,08	25	1/2"	60	35
YDK080400250	92	80	40	250	430	12,22	25	1/2"	60	35
YDK080400300	92	80	40	300	480	13,35	25	1/2"	60	35
YDK080400400	92	80	40	400	580	15,56	25	1/2"	60	35
YDK080400500	92	80	40	500	680	17,77	25	1/2"	60	35
YDK080400600	92	80	40	600	780	19,98	25	1/2"	60	35
YDK080400800	92	80	40	800	980	24,50	25	1/2"	60	35
YDK080401000	92	80	40	1000	1180	28,92	25	1/2"	60	35
YDK080500200	92	80	50	200	380	12,35	25	1/2"	60	35
YDK080500250	92	80	50	250	430	13,73	25	1/2"	60	35

Specificaties:

Constante snelheid: 0,2 m/s  
 Maximale snelheid: 0,5 m/s  
 Piek druk maximaal: 250 bar  
 Werktemperatuur °C: -25°C +80°C  
 Stang: Staal UNI C45  
 Chrom 25 Micron +/- 5  
 Buis: Staal DIN2393 - ISO H9

Hydraulische cilinder dubbelwerkend serie YDK



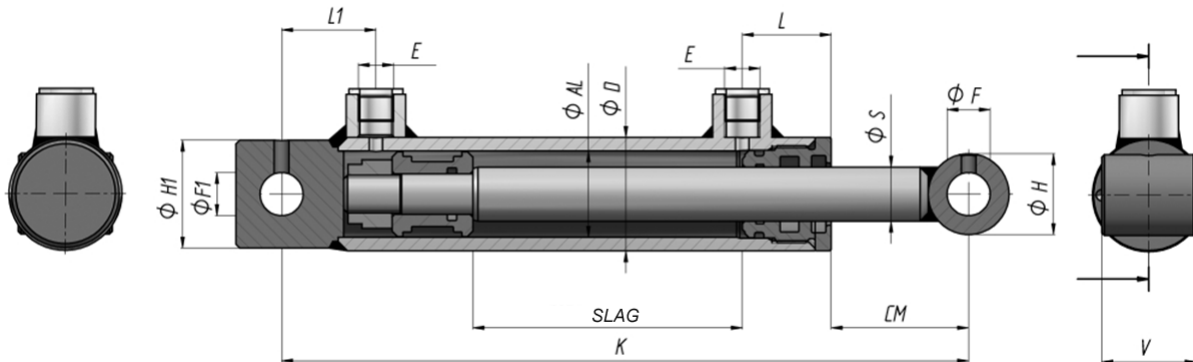
Bestelnummer	ØD	ØAL	ØS	SLAG	Z	kg.	C	E	L	L1
YDK080500300	92	80	50	300	480	15,15	25	1/2"	60	35
YDK080500400	92	80	50	400	580	17,95	25	1/2"	60	35
YDK080500500	92	80	50	500	680	20,71	25	1/2"	60	35
YDK080500600	92	80	50	600	780	24,00	25	1/2"	60	35
YDK080500800	92	80	50	800	980	29,50	25	1/2"	60	35
YDK080501000	92	80	50	1000	1180	35,00	25	1/2"	60	35
YDK100500200	115	100	50	200	410	19,50	25	1/2"	82	38
YDK100500250	115	100	50	250	460	21,50	25	1/2"	82	38
YDK100500300	115	100	50	300	510	23,00	25	1/2"	82	38
YDK100500400	115	100	50	400	610	26,50	25	1/2"	82	38
YDK100500500	115	100	50	500	710	30,00	25	1/2"	82	38
YDK100500600	115	100	50	600	810	33,50	25	1/2"	82	38
YDK100500800	115	100	50	800	1010	40,50	25	1/2"	82	38
YDK100501000	115	100	50	1000	1210	47,50	25	1/2"	82	38
YDK100600300	115	100	60	300	510	25,50	25	1/2"	82	38
YDK100600400	115	100	60	400	610	29,50	25	1/2"	82	38
YDK100600500	115	100	60	500	710	33,50	25	1/2"	82	38
YDK100600600	115	100	60	600	810	37,50	25	1/2"	82	38
YDK100600800	115	100	60	800	1010	46,00	25	1/2"	82	38
YDK100601000	115	100	60	1000	1210	54,50	25	1/2"	82	38

Specificaties:

Constante snelheid: 0,2 m/s  
 Maximale snelheid: 0,5 m/s  
 Piek druk maximaal: 250 bar  
 Werktemperatuur °C: -25°C +80°C  
 Stang: Staal UNI C45  
 Chroom 25 Micron +/- 5  
 Buis: Staal DIN2393 - ISO H9



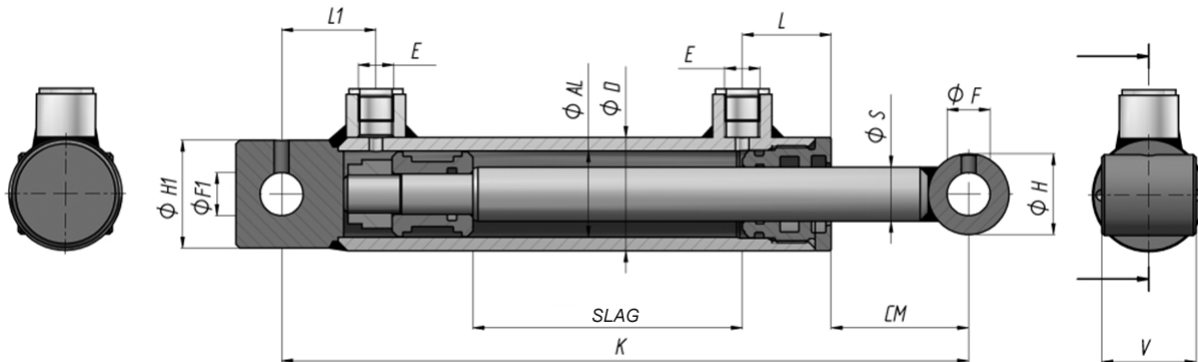
Hydraulische cilinder dubbelwerkend serie YDM



Bestelnummer	ØD	ØAL	ØS	slag	K	E	CM	L	L1	ØH1	ØF ØF1	ØH	V	kg.
YDM025160050	35	25	16	50	160	1/4"	31	23	22	35	12,1	25	25	1,00
YDM025160100	35	25	16	100	210	1/4"	31	23	22	35	12,1	25	25	1,20
YDM025160150	35	25	16	150	260	1/4"	31	23	22	35	12,1	25	25	1,40
YDM025160200	35	25	16	200	310	1/4"	31	23	22	35	12,1	25	25	1,70
YDM032200050	42	32	20	50	205	1/4"	51	33	35	40	16,2	30	35	1,70
YDM032200100	42	32	20	100	255	1/4"	51	33	35	40	16,2	30	35	2,10
YDM032200150	42	32	20	150	305	1/4"	51	33	35	40	16,2	30	35	2,40
YDM032200200	42	32	20	200	355	1/4"	51	33	35	40	16,2	30	35	2,80
YDM032200250	42	32	20	250	405	1/4"	51	33	35	40	16,2	30	35	3,10
YDM032200300	42	32	20	300	455	1/4"	51	33	35	40	16,2	30	35	3,50
YDM032200400	42	32	20	400	555	1/4"	51	33	35	40	16,2	30	35	4,20
YDM032200500	42	32	20	500	655	1/4"	51	33	35	40	16,2	30	35	4,80
YDM040250100	50	40	25	100	270	3/8"	65	40	38	50	20,25	35	40	3,00
YDM040250150	50	40	25	150	320	3/8"	65	40	38	50	20,25	35	40	3,40
YDM040250200	50	40	25	200	370	3/8"	65	40	38	50	20,25	35	40	3,90
YDM040250250	50	40	25	250	420	3/8"	65	40	38	50	20,25	35	40	4,40
YDM040250300	50	40	25	300	470	3/8"	65	40	38	50	20,25	35	40	4,80
YDM040250400	50	40	25	400	570	3/8"	65	40	38	50	20,25	35	40	5,80
YDM040250500	50	40	25	500	670	3/8"	65	40	38	50	20,25	35	40	6,70
YDM040250600	50	40	25	600	770	3/8"	65	40	38	50	20,25	35	40	7,60
YDM040250700	50	40	25	700	870	3/8"	65	40	38	50	20,25	35	40	8,60
YDM040250800	50	40	25	800	970	3/8"	65	40	38	50	20,25	35	40	9,50
YDM050300100	60	50	30	100	300	3/8"	85	43	42	60	25,25	40	45	4,40
YDM050300150	60	50	30	150	350	3/8"	85	43	42	60	25,25	40	45	5,00
YDM050300200	60	50	30	200	400	3/8"	85	43	42	60	25,25	40	45	5,60
YDM050300250	60	50	30	250	450	3/8"	85	43	42	60	25,25	40	45	6,20
YDM050300300	60	50	30	300	500	3/8"	85	43	42	60	25,25	40	45	6,90
YDM050300400	60	50	30	400	600	3/8"	85	43	42	60	25,25	40	45	8,10
YDM050300500	60	50	30	500	700	3/8"	85	43	42	60	25,25	40	45	9,30
YDM050300600	60	50	30	600	800	3/8"	85	43	42	60	25,25	40	45	10,50
YDM050300700	60	50	30	700	900	3/8"	85	43	42	60	25,25	40	45	11,80
YDM050300800	60	50	30	800	1000	3/8"	85	43	42	60	25,25	40	45	13,00
YDM050300900	60	50	30	900	1100	3/8"	85	43	42	60	25,25	40	45	14,20
YDM050301000	60	50	30	1000	1200	3/8"	85	43	42	60	25,25	40	45	15,50
YDM060300100	70	60	30	100	300	3/8"	83	50	36	70	25,25	40	45	5,60

Specificaties:  
 Constante snelheid: 0,2 m/s  
 Maximale snelheid: 0,5 m/s  
 Piek druk maximaal: 250 bar  
 Werktemperatuur °C: -25° + 80°  
 Stang: staal UNI C45  
 Chrom 25 Micron +/- 5  
 Buis: staal DIN2393 - ISO H9

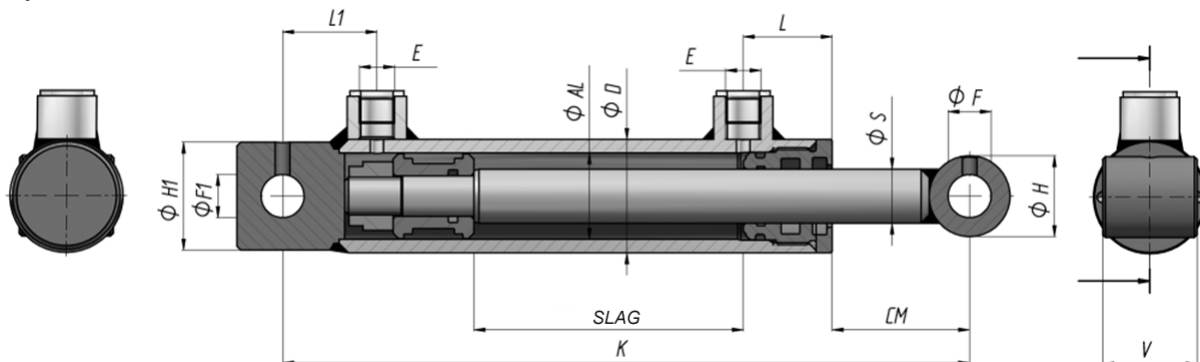
Hydraulische cilinder dubbelwerkend serie YDM



Bestelnummer	ØD	ØAL	ØS	slag	K	E	CM	L	L1	ØH1	ØF ØF1	ØH	V	kg.
YDM060300150	70	60	30	150	350	3/8"	83	50	36	70	25,25	40	45	6,30
YDM060300200	70	60	30	200	400	3/8"	83	50	36	70	25,25	40	45	7,00
YDM060300250	70	60	30	250	450	3/8"	83	50	36	70	25,25	40	45	7,70
YDM060300300	70	60	30	300	500	3/8"	83	50	36	70	25,25	40	45	8,30
YDM060300350	70	60	30	350	550	3/8"	83	50	36	70	25,25	40	45	9,00
YDM060300400	70	60	30	400	600	3/8"	83	50	36	70	25,25	40	45	9,70
YDM060300450	70	60	30	450	650	3/8"	83	50	36	70	25,25	40	45	10,40
YDM060300500	70	60	30	500	700	3/8"	83	50	36	70	25,25	40	45	11,00
YDM060300600	70	60	30	600	800	3/8"	83	50	36	70	25,25	40	45	12,40
YDM060300700	70	60	30	700	900	3/8"	83	50	36	70	25,25	40	45	13,70
YDM060350200	70	60	35	200	400	3/8"	83	50	36	70	25,25	40	45	7,70
YDM060350300	70	60	35	300	500	3/8"	83	50	36	70	25,25	40	45	9,00
YDM060350400	70	60	35	400	600	3/8"	83	50	36	70	25,25	40	45	10,60
YDM060350500	70	60	35	500	700	3/8"	83	50	36	70	25,25	40	45	12,10
YDM060350600	70	60	35	600	800	3/8"	83	50	36	70	25,25	40	45	13,70
YDM060350700	70	60	35	700	900	3/8"	83	50	36	70	25,25	40	45	15,20
YDM060350800	70	60	35	800	1000	3/8"	83	50	36	70	25,25	40	45	16,80
YDM060350900	70	60	35	900	1100	3/8"	83	50	36	70	25,25	40	45	18,30
YDM060351000	70	60	35	1000	1200	3/8"	83	50	36	70	25,25	40	45	19,90
YDM070400200	80	70	40	200	410	3/8"	82	50	46	80	30,25	50	55	10,10
YDM070400250	80	70	40	250	460	3/8"	82	50	46	80	30,25	50	55	11,00
YDM070400300	80	70	40	300	510	3/8"	82	50	46	80	30,25	50	55	12,00
YDM070400350	80	70	40	350	560	3/8"	82	50	46	80	30,25	50	55	13,00
YDM070400400	80	70	40	400	610	3/8"	82	50	46	80	30,25	50	55	13,90
YDM070400450	80	70	40	450	660	3/8"	82	50	46	80	30,25	50	55	14,90
YDM070400500	80	70	40	500	710	3/8"	82	50	46	80	30,25	50	55	15,80
YDM070400600	80	70	40	600	810	3/8"	82	50	46	80	30,25	50	55	17,70
YDM070400700	80	70	40	700	910	3/8"	82	50	46	80	30,25	50	55	19,60
YDM070400800	80	70	40	800	1010	3/8"	82	50	46	80	30,25	50	55	21,50
YDM070400900	80	70	40	900	1110	3/8"	82	50	46	80	30,25	50	55	23,40
YDM080400200	92	80	40	200	410	3/8"	70	60	42	90	30,25	50	55	13,00
YDM080400250	92	80	40	250	460	3/8"	70	60	42	90	30,25	50	55	14,20
YDM080400300	92	80	40	300	510	3/8"	70	60	42	90	30,25	50	55	15,30
YDM080400350	92	80	40	350	560	3/8"	70	60	42	90	30,25	50	55	16,40
YDM080400400	92	80	40	400	610	3/8"	70	60	42	90	30,25	50	55	17,50

Specificaties:  
 Constante snelheid: 0,2 m/s  
 Maximale snelheid: 0,5 m/s  
 Piek druk maximaal: 250 bar  
 Werktemperatuur °C: -25° +80°  
 Stang: staal UNI C45  
 Chrom 25 Micron +/- 5  
 Buis: staal DIN2393 - ISO H9

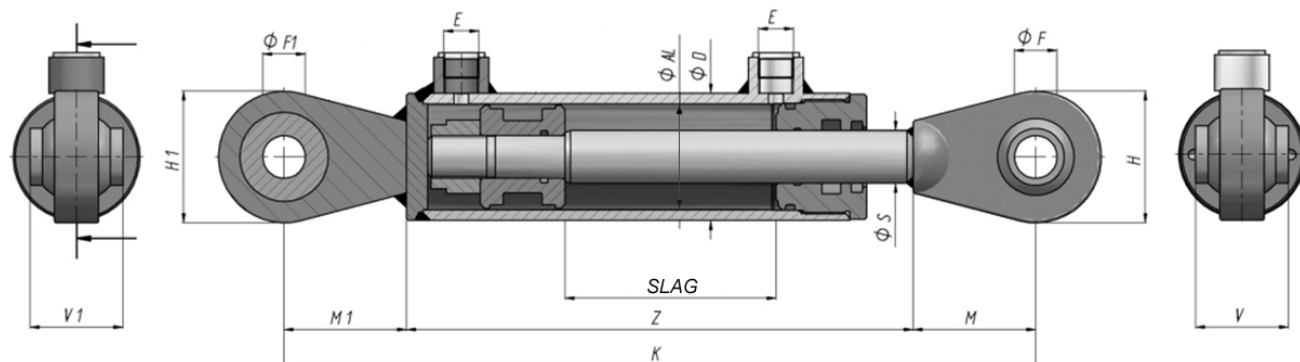
Hydraulische cilinder dubbelwerkend serie YDM



Bestelnummer	ØD	ØAL	ØS	slag	Z	E	CM	L	L1	Ø H1	ØF ØF1	ØH	V	kg.
YDM080400500	92	80	40	500	710	3/8"	70	60	42	90	30,25	50	55	19,80
YDM080400600	92	80	40	600	810	3/8"	70	60	42	90	30,25	50	55	22,00
YDM080400700	92	80	40	700	910	3/8"	70	60	42	90	30,25	50	55	24,30
YDM080400800	92	80	40	800	1010	3/8"	70	60	42	90	30,25	50	55	26,50
YDM080400900	92	80	40	900	1110	3/8"	70	60	42	90	30,25	50	55	28,80
YDM080401000	92	80	40	1000	1210	3/8"	70	60	42	90	30,25	50	55	31,00
YDM100500200	115	100	50	200	425	1/2"	75	66	45	115	30,25	60	70	21,50
YDM100500300	115	100	50	300	525	1/2"	75	66	45	115	30,25	60	70	25,00
YDM100500400	115	100	50	400	625	1/2"	75	66	45	115	30,25	60	70	28,50
YDM100500500	115	100	50	500	725	1/2"	75	66	45	115	30,25	60	70	32,00
YDM100500700	115	100	50	700	925	1/2"	75	66	45	115	30,25	60	70	39,10
YDM100500900	115	100	50	900	1125	1/2"	75	66	45	115	30,25	60	70	46,10
YDM100501000	115	100	50	1000	1225	1/2"	75	66	45	115	30,25	60	70	49,60

Specificaties:  
 Constante snelheid: 0,2 m/s  
 Maximale snelheid: 0,5 m/s  
 Piek druk maximaal: 250 bar  
 Werktemperatuur °C: -25° +80°  
 Stang: staal UNI C45  
 Chrom 25 Micron +/- 5  
 Buis: staal DIN2393 - ISO H9

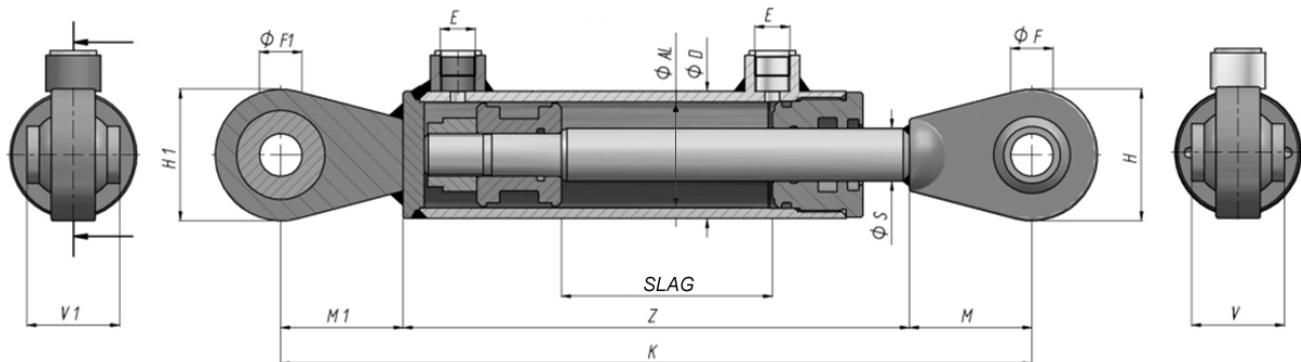
Hydraulische cilinder dubbelwerkend serie YDLO



Bestelnummer	ØD	ØAL	ØS	slag	K	Z	kg.	E	ØF ØF1	H H1	V V1	M M1
YDLO040200100	50	40	20	100	350	230	2,79	1/4"	16	46	20	60
YDLO040200150	50	40	20	150	400	280	3,19	1/4"	16	46	20	60
YDLO040200200	50	40	20	200	450	330	3,57	1/4"	16	46	20	60
YDLO040200250	50	40	20	250	500	380	3,97	1/4"	16	46	20	60
YDLO040200300	50	40	20	300	550	430	4,37	1/4"	16	46	20	60
YDLO040200350	50	40	20	350	600	480	4,79	1/4"	16	46	20	60
YDLO040200400	50	40	20	400	650	530	5,17	1/4"	16	46	20	60
YDLO040200450	50	40	20	450	700	580	5,60	1/4"	16	46	20	60
YDLO040200500	50	40	20	500	750	630	6,01	1/4"	16	46	20	60
YDLO040250150	50	40	25	150	400	280	3,47	1/4"	16	46	20	60
YDLO040250200	50	40	25	200	450	330	3,91	1/4"	16	46	20	60
YDLO040250250	50	40	25	250	500	380	4,37	1/4"	16	46	20	60
YDLO040250300	50	40	25	300	550	430	4,84	1/4"	16	46	20	60
YDLO040250350	50	40	25	350	600	480	5,31	1/4"	16	46	20	60
YDLO040250400	50	40	25	400	650	530	5,78	1/4"	16	46	20	60
YDLO040250450	50	40	25	450	700	580	6,24	1/4"	16	46	20	60
YDLO040250500	50	40	25	500	750	630	6,72	1/4"	16	46	20	60
YDLO040250550	50	40	25	550	800	680	7,12	1/4"	16	46	20	60
YDLO040250600	50	40	25	600	850	730	7,65	1/4"	16	46	20	60
YDLO050250100	60	50	25	100	356	240	4,49	3/8"	20	62	44	58
YDLO050250150	60	50	25	150	406	290	5,03	3/8"	20	62	44	58
YDLO050250200	60	50	25	200	456	340	5,54	3/8"	20	62	44	58
YDLO050250250	60	50	25	250	506	390	6,05	3/8"	20	62	44	58
YDLO050250300	60	50	25	300	556	440	6,55	3/8"	20	62	44	58
YDLO050250350	60	50	25	350	606	490	7,14	3/8"	20	62	44	58
YDLO050250400	60	50	25	400	656	540	7,60	3/8"	20	62	44	58
YDLO050250450	60	50	25	450	706	590	8,50	3/8"	20	62	44	58
YDLO050250500	60	50	25	500	756	640	8,63	3/8"	20	62	44	58
YDLO050250550	60	50	25	550	806	690	9,26	3/8"	20	62	44	58
YDLO050250600	60	50	25	600	856	740	9,66	3/8"	20	62	44	58
YDLO050250800	60	50	25	800	1056	940	11,91	3/8"	20	62	44	58
YDLO050251000	60	50	25	1000	1256	1140	14,07	3/8"	20	62	44	58
YDLO050300150	60	50	30	150	406	290	5,31	3/8"	20	62	44	58
YDLO050300200	60	50	30	200	456	340	5,94	3/8"	20	62	44	58
YDLO050300250	60	50	30	250	506	390	6,55	3/8"	20	62	44	58

Specificaties:  
 Constante snelheid: 0,2 m/s  
 Maximale snelheid: 0,5 m/s  
 Piek druk maximaal: 250 bar  
 Werktemperatuur °C: -25° +80°  
 Stang: staal UNI C45  
 Chrom 25 Micron +/- 5  
 Buis: staal 52.3 DIN2393 - ISO H9

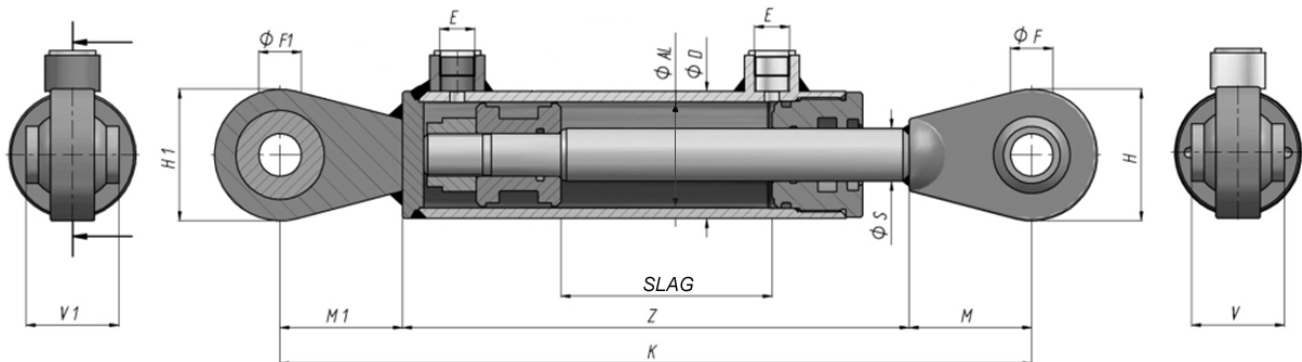
Hydraulische cilinder dubbelwerkend serie YDLO



Bestelnummer	ØD	ØAL	ØS	slag	K	Z	kg.	E	ØF ØF1	H H1	V V1	M M1
YDLO050300300	60	50	30	300	556	440	7,17	3/8"	20	62	44	58
YDLO050300350	60	50	30	350	606	490	7,75	3/8"	20	62	44	58
YDLO050300400	60	50	30	400	656	540	8,40	3/8"	20	62	44	58
YDLO050300450	60	50	30	450	706	590	9,00	3/8"	20	62	44	58
YDLO050300500	60	50	30	500	756	640	9,62	3/8"	20	62	44	58
YDLO050300550	60	50	30	550	806	690	10,24	3/8"	20	62	44	58
YDLO050300600	60	50	30	600	856	740	10,84	3/8"	20	62	44	58
YDLO050300800	60	50	30	800	1056	940	13,30	3/8"	20	62	44	58
YDLO050301000	60	50	30	1000	1256	1140	15,77	3/8"	20	62	44	58
YDLO060300100	70	60	30	100	390	260	7,02	3/8"	25,4	75	51	65
YDLO060300150	70	60	30	150	440	310	7,75	3/8"	25,4	75	51	65
YDLO060300200	70	60	30	200	490	360	8,40	3/8"	25,4	75	51	65
YDLO060300250	70	60	30	250	540	410	9,07	3/8"	25,4	75	51	65
YDLO060300300	70	60	30	300	590	460	9,75	3/8"	25,4	75	51	65
YDLO060300350	70	60	30	350	640	510	10,40	3/8"	25,4	75	51	65
YDLO060300400	70	60	30	400	690	560	11,10	3/8"	25,4	75	51	65
YDLO060300450	70	60	30	450	740	610	11,73	3/8"	25,4	75	51	65
YDLO060300500	70	60	30	500	790	660	12,45	3/8"	25,4	75	51	65
YDLO060300550	70	60	30	550	840	710	13,06	3/8"	25,4	75	51	65
YDLO060300600	70	60	30	600	890	760	13,80	3/8"	25,4	75	51	65
YDLO060300800	70	60	30	800	1090	960	16,46	3/8"	25,4	75	51	65
YDLO060301000	70	60	30	1000	1290	1160	19,20	3/8"	25,4	75	51	65
YDLO060350100	70	60	35	100	390	260	7,27	3/8"	25,4	75	51	65
YDLO060350150	70	60	35	150	440	310	8,05	3/8"	25,4	75	51	65
YDLO060350200	70	60	35	200	490	360	8,80	3/8"	25,4	75	51	65
YDLO060350250	70	60	35	250	540	410	9,60	3/8"	25,4	75	51	65
YDLO060350300	70	60	35	300	590	460	10,35	3/8"	25,4	75	51	65
YDLO060350350	70	60	35	350	640	510	11,14	3/8"	25,4	75	51	65
YDLO060350400	70	60	35	400	690	560	11,92	3/8"	25,4	75	51	65
YDLO060350450	70	60	35	450	740	610	12,67	3/8"	25,4	75	51	65
YDLO060350500	70	60	35	500	790	660	13,45	3/8"	25,4	75	51	65
YDLO060350550	70	60	35	550	840	710	14,20	3/8"	25,4	75	51	65
YDLO060350600	70	60	35	600	890	760	15,01	3/8"	25,4	75	51	65
YDLO060350800	70	60	35	800	1090	960	18,07	3/8"	25,4	75	51	65
YDLO060351000	70	60	35	1000	1290	1160	21,13	3/8"	25,4	75	51	65

Specificaties:  
 Constante snelheid: 0,2 m/s  
 Maximale snelheid: 0,5 m/s  
 Piek druk maximaal: 250 bar  
 Werktemperatuur °C: -25° +80°  
 Stang: staal UNI C45  
 Chrom 25 Micron +/- 5  
 Buis: staal 52.3 DIN2393 - ISO H9

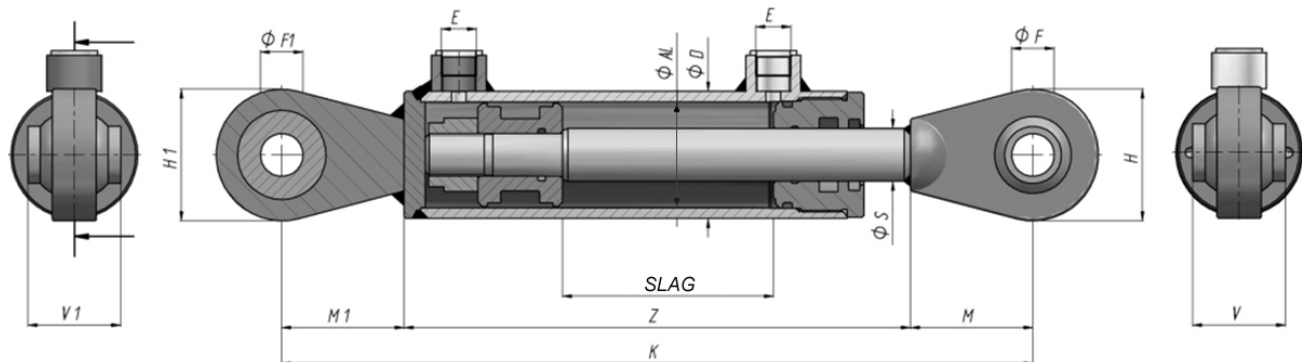
Hydraulische cilinder dubbelwerkend serie YDLO



Bestelnummer	ØD	ØAL	ØS	slag	K	Z	kg.	E	ØF ØF1	H H1	V V1	M M1
YDLO060400200	70	60	40	200	490	360	9,45	3/8"	25,4	75	51	65
YDLO060400250	70	60	40	250	540	410	10,34	3/8"	25,4	75	51	65
YDLO060400300	70	60	40	300	590	460	11,23	3/8"	25,4	75	51	65
YDLO060400350	70	60	40	350	640	510	12,10	3/8"	25,4	75	51	65
YDLO060400400	70	60	40	400	690	560	12,99	3/8"	25,4	75	51	65
YDLO060400450	70	60	40	450	740	610	13,84	3/8"	25,4	75	51	65
YDLO060400500	70	60	40	500	790	660	14,72	3/8"	25,4	75	51	65
YDLO060400550	70	60	40	550	840	710	15,65	3/8"	25,4	75	51	65
YDLO060400600	70	60	40	600	890	760	16,50	3/8"	25,4	75	51	65
YDLO060400800	70	60	40	800	1090	960	20,02	3/8"	25,4	75	51	65
YDLO060401000	70	60	40	1000	1290	1160	23,60	3/8"	25,4	75	51	65
YDLO070350100	80	70	35	100	390	260	8,29	3/8"	25,4	75	51	65
YDLO070350150	80	70	35	150	440	310	9,15	3/8"	25,4	75	51	65
YDLO070350200	80	70	35	200	490	360	9,94	3/8"	25,4	75	51	65
YDLO070350250	80	70	35	250	540	410	10,80	3/8"	25,4	75	51	65
YDLO070350300	80	70	35	300	590	460	11,60	3/8"	25,4	75	51	65
YDLO070350350	80	70	35	350	640	510	12,46	3/8"	25,4	75	51	65
YDLO070350400	80	70	35	400	690	560	13,20	3/8"	25,4	75	51	65
YDLO070350450	80	70	35	450	740	610	14,08	3/8"	25,4	75	51	65
YDLO070350500	80	70	35	500	790	660	14,80	3/8"	25,4	75	51	65
YDLO070350550	80	70	35	550	840	710	15,86	3/8"	25,4	75	51	65
YDLO070350600	80	70	35	600	890	760	16,40	3/8"	25,4	75	51	65
YDLO070350800	80	70	35	800	1090	960	19,76	3/8"	25,4	75	51	65
YDLO070351000	80	70	35	1000	1290	1160	23,46	3/8"	25,4	75	51	65
YDLO070400200	80	70	40	200	490	360	10,48	3/8"	25,4	75	51	65
YDLO070400250	80	70	40	250	540	410	11,46	3/8"	25,4	75	51	65
YDLO070400300	80	70	40	300	590	460	12,44	3/8"	25,4	75	51	65
YDLO070400350	80	70	40	350	640	510	13,40	3/8"	25,4	75	51	65
YDLO070400400	80	70	40	400	690	560	15,00	3/8"	25,4	75	51	65
YDLO070400450	80	70	40	450	740	610	15,31	3/8"	25,4	75	51	65
YDLO070400500	80	70	40	500	790	660	16,21	3/8"	25,4	75	51	65
YDLO070400550	80	70	40	550	840	710	17,30	3/8"	25,4	75	51	65
YDLO070400600	80	70	40	600	890	760	18,19	3/8"	25,4	75	51	65
YDLO070400800	80	70	40	800	1090	960	21,93	3/8"	25,4	75	51	65
YDLO070401000	80	70	40	1000	1290	1160	25,71	3/8"	25,4	75	51	65

Specificaties:  
 Constante snelheid: 0,2 m/s  
 Maximale snelheid: 0,5 m/s  
 Piek druk maximaal: 250 bar  
 Werktemperatuur °C: -25° +80°  
 Stang: staal UNI C45  
 Chrom 25 Micron +/- 5  
 Buis: staal 52.3 DIN2393 - ISO H9

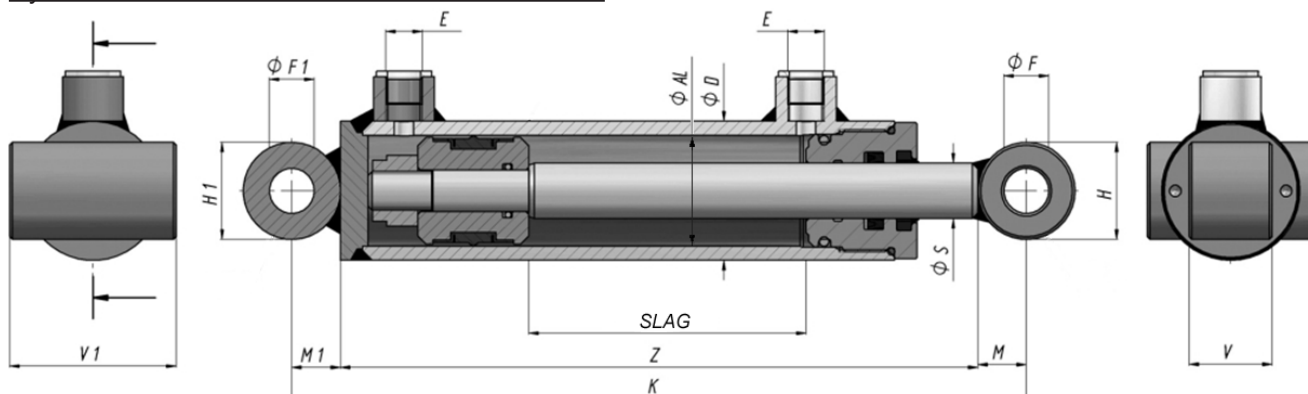
Hydraulische cilinder dubbelwerkend serie YDLO



Bestelnummer	ØD	ØAL	ØS	slag	K	Z	kg.	E	ØF ØF1	H H1	V V1	M M1
YDLO080400200	92	80	40	200	510	380	13,88	1/2"	30	83	55	65
YDLO080400250	92	80	40	250	560	430	15,02	1/2"	30	83	55	65
YDLO080400300	92	80	40	300	610	480	16,15	1/2"	30	83	55	65
YDLO080400400	92	80	40	400	710	580	18,36	1/2"	30	83	55	65
YDLO080400500	92	80	40	500	810	680	20,57	1/2"	30	83	55	65
YDLO080400600	92	80	40	600	910	780	22,78	1/2"	30	83	55	65
YDLO080400800	92	80	40	800	1110	980	27,30	1/2"	30	83	55	65
YDLO080401000	92	80	40	1000	1310	1180	31,72	1/2"	30	83	55	65
YDLO080500200	92	80	50	200	510	380	15,15	1/2"	30	83	55	65
YDLO080500250	92	80	50	250	560	430	16,53	1/2"	30	83	55	65
YDLO080500300	92	80	50	300	610	480	17,95	1/2"	30	83	55	65
YDLO080500400	92	80	50	400	710	580	20,75	1/2"	30	83	55	65
YDLO080500500	92	80	50	500	810	680	23,51	1/2"	30	83	55	65
YDLO080500600	92	80	50	600	910	780	26,80	1/2"	30	83	55	65
YDLO080500800	92	80	50	800	1110	980	32,30	1/2"	30	83	55	65
YDLO080501000	92	80	50	1000	1310	1180	37,80	1/2"	30	83	55	65
YDLO100500200	115	100	50	200	580	410	26,20	1/2"	40	108	75	85
YDLO100500250	115	100	50	250	630	460	28,20	1/2"	40	108	75	85
YDLO100500300	115	100	50	300	680	510	29,70	1/2"	40	108	75	85
YDLO100500400	115	100	50	400	780	610	33,20	1/2"	40	108	75	85
YDLO100500500	115	100	50	500	880	710	36,70	1/2"	40	108	75	85
YDLO100500600	115	100	50	600	980	810	40,20	1/2"	40	108	75	85
YDLO100500800	115	100	50	800	1180	1010	47,20	1/2"	40	108	75	85
YDLO100501000	115	100	50	1000	1380	1210	54,20	1/2"	40	108	75	85
YDLO100600300	115	100	60	300	680	510	32,20	1/2"	40	108	75	85
YDLO100600400	115	100	60	400	780	610	36,20	1/2"	40	108	75	85
YDLO100600500	115	100	60	500	880	710	40,20	1/2"	40	108	75	85
YDLO100600600	115	100	60	600	980	810	44,20	1/2"	40	108	75	85
YDLO100600800	115	100	60	800	1180	1010	52,70	1/2"	40	108	75	85
YDLO100601000	115	100	60	1000	1380	1210	61,20	1/2"	40	108	75	85

Specificaties:  
 Constante snelheid: 0,2 m/s  
 Maximale snelheid: 0,5 m/s  
 Piek druk maximaal: 250 bar  
 Werktemperatuur °C: -25° +80°  
 Stang: staal UNI C45  
 Chrom 25 Micron +/- 5  
 Buis: staal 52.3 DIN2393 - ISO H9

Hydraulische cilinder dubbelwerkend serie YDBU

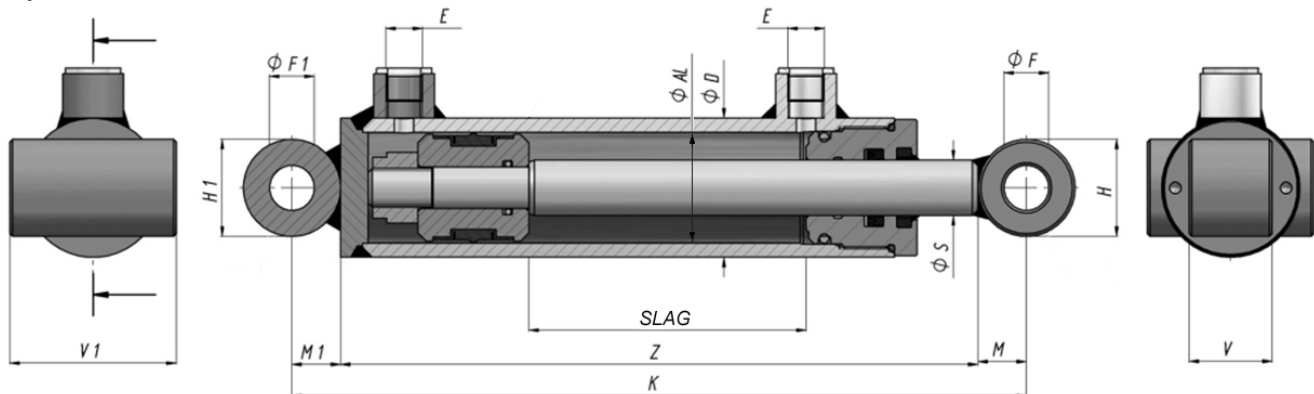


Bestelnummer	ØD	ØAL	ØS	slag	K	Z	kg.	E	ØF ØF1	H H1	V	V1	M M1
YDBU040200100	50	40	20	100	265	230	2,81	1/4"	16,25	35	30	60	17,5
YDBU040200150	50	40	20	150	315	280	3,21	1/4"	16,25	35	30	60	17,5
YDBU040200200	50	40	20	200	365	330	3,59	1/4"	16,25	35	30	60	17,5
YDBU040200250	50	40	20	250	415	380	3,99	1/4"	16,25	35	30	60	17,5
YDBU040200300	50	40	20	300	465	430	4,39	1/4"	16,25	35	30	60	17,5
YDBU040200350	50	40	20	350	515	480	4,81	1/4"	16,25	35	30	60	17,5
YDBU040200400	50	40	20	400	565	530	5,19	1/4"	16,25	35	30	60	17,5
YDBU040200450	50	40	20	450	615	580	5,62	1/4"	16,25	35	30	60	17,5
YDBU040200500	50	40	20	500	665	630	6,03	1/4"	16,25	35	30	60	17,5
YDBU040250150	50	40	25	150	315	280	3,49	1/4"	16,25	35	30	60	17,5
YDBU040250200	50	40	25	200	365	330	3,93	1/4"	16,25	35	30	60	17,5
YDBU040250250	50	40	25	250	415	380	4,39	1/4"	16,25	35	30	60	17,5
YDBU040250300	50	40	25	300	465	430	4,86	1/4"	16,25	35	30	60	17,5
YDBU040250350	50	40	25	350	515	480	5,33	1/4"	16,25	35	30	60	17,5
YDBU040250400	50	40	25	400	565	530	5,80	1/4"	16,25	35	30	60	17,5
YDBU040250450	50	40	25	450	615	580	6,26	1/4"	16,25	35	30	60	17,5
YDBU040250500	50	40	25	500	665	630	6,74	1/4"	16,25	35	30	60	17,5
YDBU040250550	50	40	25	550	715	680	7,14	1/4"	16,25	35	30	60	17,5
YDBU040250600	50	40	25	600	765	730	7,67	1/4"	16,25	35	30	60	17,5
YDBU050250100	60	50	25	100	280	240	4,08	3/8"	20,25	40	40	70	20
YDBU050250150	60	50	25	150	330	290	4,62	3/8"	20,25	40	40	70	20
YDBU050250200	60	50	25	200	380	340	5,13	3/8"	20,25	40	40	70	20
YDBU050250250	60	50	25	250	430	390	5,64	3/8"	20,25	40	40	70	20
YDBU050250300	60	50	25	300	480	440	6,14	3/8"	20,25	40	40	70	20
YDBU050250350	60	50	25	350	530	490	6,73	3/8"	20,25	40	40	70	20
YDBU050250400	60	50	25	400	580	540	7,19	3/8"	20,25	40	40	70	20
YDBU050250450	60	50	25	450	630	590	8,09	3/8"	20,25	40	40	70	20
YDBU050250500	60	50	25	500	680	640	8,22	3/8"	20,25	40	40	70	20
YDBU050250550	60	50	25	550	730	690	8,85	3/8"	20,25	40	40	70	20
YDBU050250600	60	50	25	600	780	740	9,25	3/8"	20,25	40	40	70	20
YDBU050250800	60	50	25	800	980	940	11,50	3/8"	20,25	40	40	70	20
YDBU050251000	60	50	25	1000	1180	1140	13,66	3/8"	20,25	40	40	70	20
YDBU050300150	60	50	30	150	330	290	4,90	3/8"	20,25	40	40	70	20
YDBU050300200	60	50	30	200	380	340	5,53	3/8"	20,25	40	40	70	20
YDBU050300250	60	50	30	250	430	390	6,14	3/8"	20,25	40	40	70	20

Specificaties:  
 Constante snelheid: 0,2 m/s  
 Maximale snelheid: 0,5 m/s  
 Piek druk maximaal: 200 bar  
 Werktemperatuur °C: -25° +80°  
 Stang: staal UNI C45  
 Chrom 25 Micron +/- 5  
 Buis: staal 52.3 DIN2393 - ISO H9



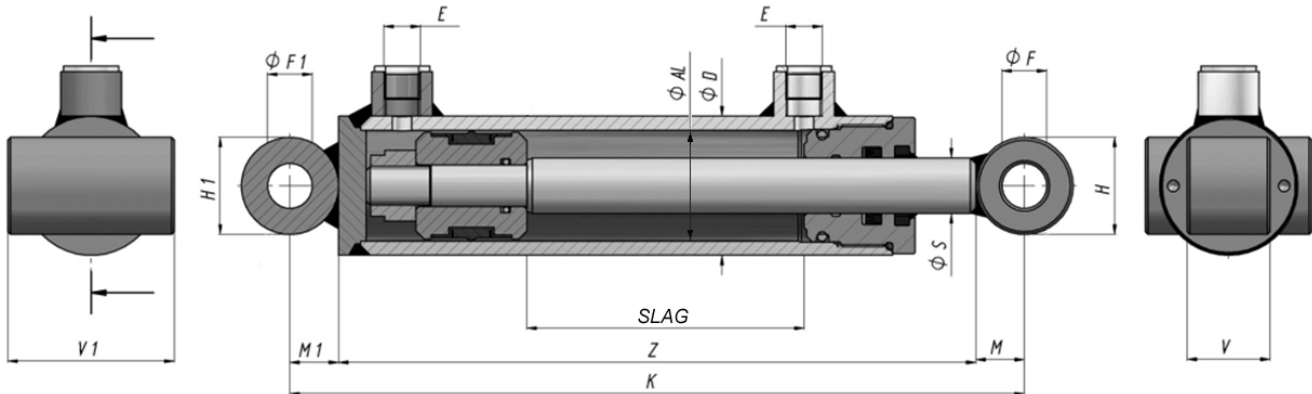
Hydraulische cilinder dubbelwerkend serie YDBU



Bestelnummer	ØD	ØAL	ØS	slag	K	Z	kg.	E	ØF ØF1	H H1	V	V1	M M1
YDBU050300300	60	50	30	300	480	440	6,76	3/8"	20,25	40	40	70	20
YDBU050300350	60	50	30	350	530	490	7,34	3/8"	20,25	40	40	70	20
YDBU050300400	60	50	30	400	580	540	7,99	3/8"	20,25	40	40	70	20
YDBU050300450	60	50	30	450	630	590	8,59	3/8"	20,25	40	40	70	20
YDBU050300500	60	50	30	500	680	640	9,21	3/8"	20,25	40	40	70	20
YDBU050300550	60	50	30	550	730	690	9,83	3/8"	20,25	40	40	70	20
YDBU050300600	60	50	30	600	780	740	10,43	3/8"	20,25	40	40	70	20
YDBU050300800	60	50	30	800	980	940	12,89	3/8"	20,25	40	40	70	20
YDBU050301000	60	50	30	1000	1180	1140	15,36	3/8"	20,25	40	40	70	20
YDBU060300100	70	60	30	100	310	260	6,27	3/8"	25,25	50	50	80	25
YDBU060300150	70	60	30	150	360	310	7,00	3/8"	25,25	50	50	80	25
YDBU060300200	70	60	30	200	410	360	7,65	3/8"	25,25	50	50	80	25
YDBU060300250	70	60	30	250	460	410	8,32	3/8"	25,25	50	50	80	25
YDBU060300300	70	60	30	300	510	460	9,00	3/8"	25,25	50	50	80	25
YDBU060300350	70	60	30	350	560	510	9,65	3/8"	25,25	50	50	80	25
YDBU060300400	70	60	30	400	610	560	10,35	3/8"	25,25	50	50	80	25
YDBU060300450	70	60	30	450	660	610	10,98	3/8"	25,25	50	50	80	25
YDBU060300500	70	60	30	500	710	660	11,70	3/8"	25,25	50	50	80	25
YDBU060300550	70	60	30	550	760	710	12,31	3/8"	25,25	50	50	80	25
YDBU060300600	70	60	30	600	810	760	13,05	3/8"	25,25	50	50	80	25
YDBU060300800	70	60	30	800	1010	960	15,71	3/8"	25,25	50	50	80	25
YDBU060301000	70	60	30	1000	1210	1160	18,45	3/8"	25,25	50	50	80	25
YDBU060350100	70	60	35	100	310	260	6,52	3/8"	25,25	50	50	80	25
YDBU060350150	70	60	35	150	360	310	7,30	3/8"	25,25	50	50	80	25
YDBU060350200	70	60	35	200	410	360	8,05	3/8"	25,25	50	50	80	25
YDBU060350250	70	60	35	250	460	410	8,85	3/8"	25,25	50	50	80	25
YDBU060350300	70	60	35	300	510	460	9,60	3/8"	25,25	50	50	80	25
YDBU060350350	70	60	35	350	560	510	10,39	3/8"	25,25	50	50	80	25
YDBU060350400	70	60	35	400	610	560	11,17	3/8"	25,25	50	50	80	25
YDBU060350450	70	60	35	450	660	610	11,92	3/8"	25,25	50	50	80	25
YDBU060350500	70	60	35	500	710	660	12,70	3/8"	25,25	50	50	80	25
YDBU060350550	70	60	35	550	760	710	13,45	3/8"	25,25	50	50	80	25
YDBU060350600	70	60	35	600	810	760	14,26	3/8"	25,25	50	50	80	25
YDBU060350800	70	60	35	800	1010	960	17,32	3/8"	25,25	50	50	80	25
YDBU060351000	70	60	35	1000	1210	1160	20,38	3/8"	25,25	50	50	80	25

Specificaties:  
 Constante snelheid: 0,2 m/s  
 Maximale snelheid: 0,5 m/s  
 Piek druk maximaal: 200 bar  
 Werktemperatuur °C: -25° +80°  
 Stang: staal UNI C45  
 Chrom 25 Micron +/- 5  
 Buis: staal 52.3 DIN2393 - ISO H9

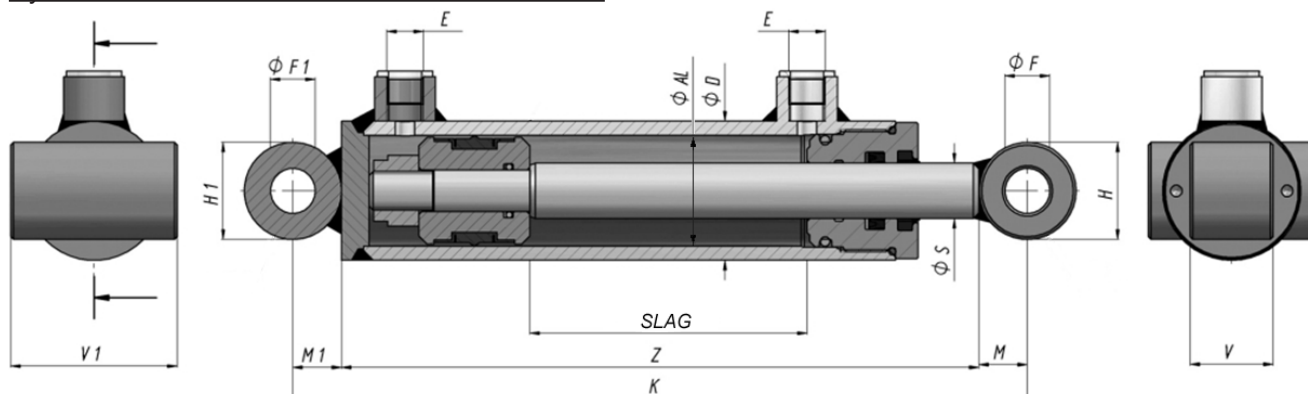
Hydraulische cilinder dubbelwerkend serie YDBU



Bestelnummer	ØD	ØAL	ØS	slag	K	Z	kg.	E	ØF ØF1	H H1	V	V1	M M1
YDBU060400200	70	60	40	200	410	360	8,70	3/8"	25,25	50	50	80	25
YDBU060400250	70	60	40	250	460	410	9,59	3/8"	25,25	50	50	80	25
YDBU060400300	70	60	40	300	510	460	10,48	3/8"	25,25	50	50	80	25
YDBU060400350	70	60	40	350	560	510	11,35	3/8"	25,25	50	50	80	25
YDBU060400400	70	60	40	400	610	560	12,24	3/8"	25,25	50	50	80	25
YDBU060400450	70	60	40	450	660	610	13,09	3/8"	25,25	50	50	80	25
YDBU060400500	70	60	40	500	710	660	13,97	3/8"	25,25	50	50	80	25
YDBU060400550	70	60	40	550	760	710	14,90	3/8"	25,25	50	50	80	25
YDBU060400600	70	60	40	600	810	760	15,75	3/8"	25,25	50	50	80	25
YDBU060400800	70	60	40	800	1010	960	19,27	3/8"	25,25	50	50	80	25
YDBU060401000	70	60	40	1000	1210	1160	22,85	3/8"	25,25	50	50	80	25
YDBU070350100	80	70	35	100	310	260	7,54	3/8"	25,25	50	50	90	25
YDBU070350150	80	70	35	150	360	310	8,40	3/8"	25,25	50	50	90	25
YDBU070350200	80	70	35	200	410	360	9,19	3/8"	25,25	50	50	90	25
YDBU070350250	80	70	35	250	460	410	10,05	3/8"	25,25	50	50	90	25
YDBU070350300	80	70	35	300	510	460	10,85	3/8"	25,25	50	50	90	25
YDBU070350350	80	70	35	350	560	510	11,71	3/8"	25,25	50	50	90	25
YDBU070350400	80	70	35	400	610	560	12,45	3/8"	25,25	50	50	90	25
YDBU070350450	80	70	35	450	660	610	13,33	3/8"	25,25	50	50	90	25
YDBU070350500	80	70	35	500	710	660	14,05	3/8"	25,25	50	50	90	25
YDBU070350550	80	70	35	550	760	710	15,11	3/8"	25,25	50	50	90	25
YDBU070350600	80	70	35	600	810	760	15,65	3/8"	25,25	50	50	90	25
YDBU070350800	80	70	35	800	1010	960	19,01	3/8"	25,25	50	50	90	25
YDBU070351000	80	70	35	1000	1210	1160	22,71	3/8"	25,25	50	50	90	25
YDBU070400200	80	70	40	200	410	360	9,73	3/8"	25,25	50	50	90	25
YDBU070400250	80	70	40	250	460	410	10,71	3/8"	25,25	50	50	90	25
YDBU070400300	80	70	40	300	510	460	11,69	3/8"	25,25	50	50	90	25
YDBU070400350	80	70	40	350	560	510	12,65	3/8"	25,25	50	50	90	25
YDBU070400400	80	70	40	400	610	560	14,25	3/8"	25,25	50	50	90	25
YDBU070400450	80	70	40	450	660	610	14,56	3/8"	25,25	50	50	90	25
YDBU070400500	80	70	40	500	710	660	15,46	3/8"	25,25	50	50	90	25
YDBU070500550	80	70	40	550	760	710	16,55	3/8"	25,25	50	50	90	25
YDBU070400600	80	70	40	600	810	760	17,44	3/8"	25,25	50	50	90	25
YDBU070400800	80	70	40	800	1010	960	21,18	3/8"	25,25	50	50	90	25
YDBU070401000	80	70	40	1000	1210	1160	24,96	3/8"	25,25	50	50	90	25

Specificaties:  
 Constante snelheid: 0,2 m/s  
 Maximale snelheid: 0,5 m/s  
 Piek druk maximaal: 200 bar  
 Werktemperatuur °C: -25° +80°  
 Stang: staal UNI C45  
 Chrom 25 Micron +/- 5  
 Buis: staal 52.3 DIN2393 - ISO H9

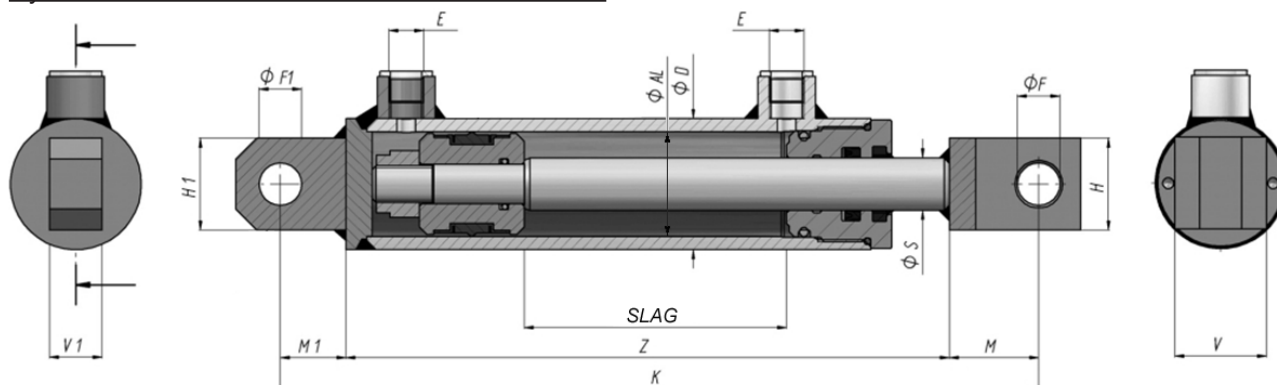
Hydraulische cilinder dubbelwerkend serie YDBU



Bestelnummer	ØD	ØAL	ØS	slag	K	Z	kg.	E	ØF ØF1	H H1	V	V1	M M1
YDBU080400200	92	80	40	200	440	380	13,84	1/2"	30,25	60	60	110	30
YDBU080400250	92	80	40	250	490	430	14,98	1/2"	30,25	60	60	110	30
YDBU080400300	92	80	40	300	540	480	16,11	1/2"	30,25	60	60	110	30
YDBU080400400	92	80	40	400	640	580	18,32	1/2"	30,25	60	60	110	30
YDBU080400500	92	80	40	500	740	680	20,53	1/2"	30,25	60	60	110	30
YDBU080400600	92	80	40	600	840	780	22,74	1/2"	30,25	60	60	110	30
YDBU080400800	92	80	40	800	1040	980	27,26	1/2"	30,25	60	60	110	30
YDBU080401000	92	80	40	1000	1240	1180	31,68	1/2"	30,25	60	60	110	30
YDBU080500200	92	80	50	200	440	380	15,11	1/2"	30,25	60	60	110	30
YDBU080500250	92	80	50	250	490	430	16,49	1/2"	30,25	60	60	110	30
YDBU080500300	92	80	50	300	540	480	17,91	1/2"	30,25	60	60	110	30
YDBU080500400	92	80	50	400	640	580	20,71	1/2"	30,25	60	60	110	30
YDBU080500500	92	80	50	500	740	680	23,47	1/2"	30,25	60	60	110	30
YDBU080500600	92	80	50	600	840	780	26,76	1/2"	30,25	60	60	110	30
YDBU080500800	92	80	50	800	1040	980	32,26	1/2"	30,25	60	60	110	30
YDBU080501000	92	80	50	1000	1240	1180	37,76	1/2"	30,25	60	60	110	30
YDBU100500200	115	100	50	200	480	410	23,75	1/2"	40,25	70	70	130	35
YDBU100500250	115	100	50	250	530	460	25,75	1/2"	40,25	70	70	130	35
YDBU100500300	115	100	50	300	580	510	27,25	1/2"	40,25	70	70	130	35
YDBU100500400	115	100	50	400	680	610	30,75	1/2"	40,25	70	70	130	35
YDBU100500500	115	100	50	500	780	710	34,25	1/2"	40,25	70	70	130	35
YDBU100500600	115	100	50	600	880	810	37,75	1/2"	40,25	70	70	130	35
YDBU100500800	115	100	50	800	1080	1010	44,75	1/2"	40,25	70	70	130	35
YDBU100501000	115	100	50	1000	1280	1210	51,75	1/2"	40,25	70	70	130	35
YDBU100600300	115	100	60	300	580	510	29,75	1/2"	40,25	70	70	130	35
YDBU100600400	115	100	60	400	680	610	33,75	1/2"	40,25	70	70	130	35
YDBU100600500	115	100	60	500	780	710	37,75	1/2"	40,25	70	70	130	35
YDBU100600600	115	100	60	600	880	810	41,75	1/2"	40,25	70	70	130	35
YDBU100600800	115	100	60	800	1080	1010	50,25	1/2"	40,25	70	70	130	35
YDBU100601000	115	100	60	1000	1280	1210	58,75	1/2"	40,25	70	70	130	35

Specificaties:  
 Constante snelheid: 0,2 m/s  
 Maximale snelheid: 0,5 m/s  
 Piek druk maximaal: 200 bar  
 Werktemperatuur °C: -25° +80°  
 Stang: staal UNI C45  
 Chrom 25 Micron +/- 5  
 Buis: staal 52.3 DIN2393 - ISO H9

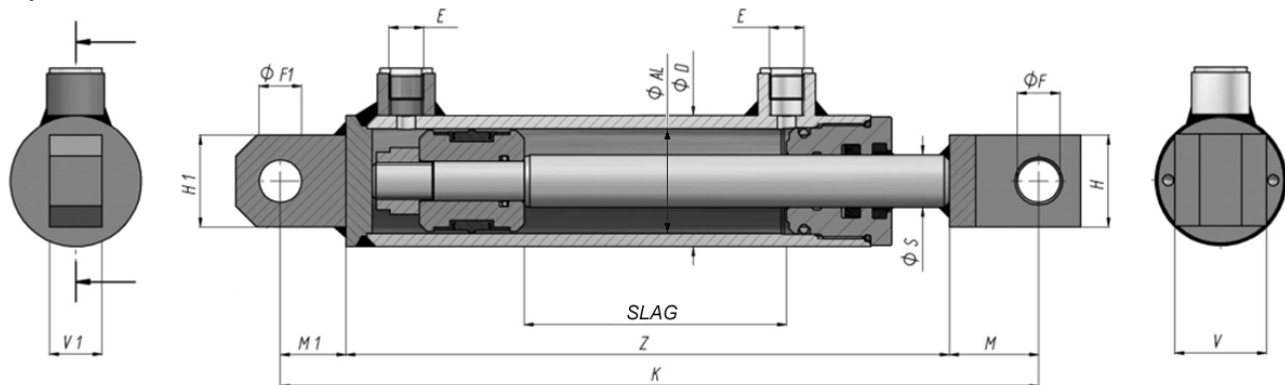
Hydraulische cilinder dubbelwerkend serie YDGA



Bestelnummer	ØD	ØAL	ØS	slag	K	Z	kg.	E	ØF ØF1	H	H1	V	V1	M	M1
YDGA040200100	50	40	20	100	289	230	2,72	1/4"	16,2	35	35	35	20	34	25
YDGA040200150	50	40	20	150	339	280	3,12	1/4"	16,2	35	35	35	20	34	25
YDGA040200200	50	40	20	200	389	330	3,50	1/4"	16,2	35	35	35	20	34	25
YDGA040200250	50	40	20	250	439	380	3,90	1/4"	16,2	35	35	35	20	34	25
YDGA040200300	50	40	20	300	489	430	4,30	1/4"	16,2	35	35	35	20	34	25
YDGA040200350	50	40	20	350	539	480	4,72	1/4"	16,2	35	35	35	20	34	25
YDGA040200400	50	40	20	400	589	530	5,10	1/4"	16,2	35	35	35	20	34	25
YDGA040200450	50	40	20	450	639	580	5,53	1/4"	16,2	35	35	35	20	34	25
YDGA040200500	50	40	20	500	689	630	5,94	1/4"	16,2	35	35	35	20	34	25
YDGA040250150	50	40	25	150	339	280	3,40	1/4"	16,2	35	35	35	20	34	25
YDGA040250200	50	40	25	200	389	330	3,84	1/4"	16,2	35	35	35	20	34	25
YDGA040250250	50	40	25	250	439	380	4,30	1/4"	16,2	35	35	35	20	34	25
YDGA040250300	50	40	25	300	489	430	4,77	1/4"	16,2	35	35	35	20	34	25
YDGA040250350	50	40	25	350	539	480	5,24	1/4"	16,2	35	35	35	20	34	25
YDGA040250400	50	40	25	400	589	530	5,71	1/4"	16,2	35	35	35	20	34	25
YDGA040250450	50	40	25	450	639	580	6,17	1/4"	16,2	35	35	35	20	34	25
YDGA040250500	50	40	25	500	689	630	6,65	1/4"	16,2	35	35	35	20	34	25
YDGA040250550	50	40	25	550	739	680	7,05	1/4"	16,2	35	35	35	20	34	25
YDGA040250600	50	40	25	600	789	730	7,58	1/4"	16,2	35	35	35	20	34	25
YDGA050250100	60	50	25	100	310	240	4,02	3/8"	20,25	40	45	40	25	40	30
YDGA050250150	60	50	25	150	360	290	4,56	3/8"	20,25	40	45	40	25	40	30
YDGA050250200	60	50	25	200	410	340	5,07	3/8"	20,25	40	45	40	25	40	30
YDGA050250250	60	50	25	250	460	390	5,58	3/8"	20,25	40	45	40	25	40	30
YDGA050250300	60	50	25	300	510	440	6,08	3/8"	20,25	40	45	40	25	40	30
YDGA050250350	60	50	25	350	560	490	6,67	3/8"	20,25	40	45	40	25	40	30
YDGA050250400	60	50	25	400	610	540	7,13	3/8"	20,25	40	45	40	25	40	30
YDGA050250450	60	50	25	450	660	590	8,03	3/8"	20,25	40	45	40	25	40	30
YDGA050250500	60	50	25	500	710	640	8,16	3/8"	20,25	40	45	40	25	40	30
YDGA050250550	60	50	25	550	760	690	8,79	3/8"	20,25	40	45	40	25	40	30
YDGA050250600	60	50	25	600	810	740	9,19	3/8"	20,25	40	45	40	25	40	30
YDGA050250800	60	50	25	800	1010	940	11,44	3/8"	20,25	40	45	40	25	40	30
YDGA050251000	60	50	25	1000	1210	1140	13,60	3/8"	20,25	40	45	40	25	40	30
YDGA050300150	60	50	30	150	360	290	4,84	3/8"	20,25	40	45	40	25	40	30
YDGA050300200	60	50	30	200	410	340	5,47	3/8"	20,25	40	45	40	25	40	30
YDGA050300250	60	50	30	250	460	390	6,08	3/8"	20,25	40	45	40	25	40	30

Specificaties:  
 Constante snelheid: 0,2 m/s  
 Maximale snelheid: 0,5 m/s  
 Piek druk maximaal: 250 bar  
 Werktemperatuur °C:  
 -25° +80°  
 Stang: staal UNI C45  
 Chrom 25 Micron +/- 5  
 Buis: staal 52.3  
 DIN2393 - ISO H9

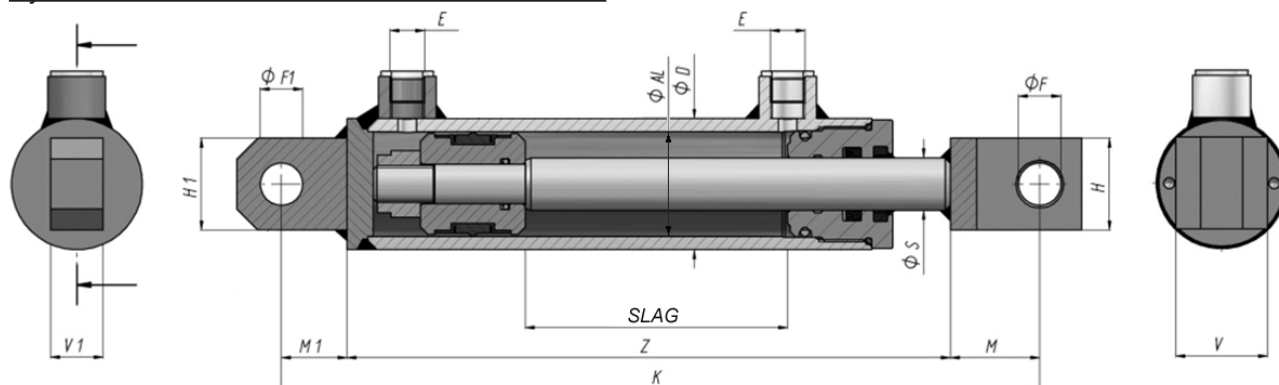
Hydraulische cilinder dubbelwerkend serie YDGA



Bestelnummer	ØD	ØAL	ØS	slag	K	Z	kg.	E	ØF ØF1	H	H1	V	V1	M	M1
YDGA050300300	60	50	30	300	510	440	6,70	3/8"	20,25	40	45	40	25	40	30
YDGA050300350	60	50	30	350	560	490	7,28	3/8"	20,25	40	45	40	25	40	30
YDGA050300400	60	50	30	400	610	540	7,93	3/8"	20,25	40	45	40	25	40	30
YDGA050300450	60	50	30	450	660	590	8,53	3/8"	20,25	40	45	40	25	40	30
YDGA050300500	60	50	30	500	710	640	9,15	3/8"	20,25	40	45	40	25	40	30
YDGA050300550	60	50	30	550	760	690	9,77	3/8"	20,25	40	45	40	25	40	30
YDGA050300600	60	50	30	600	810	740	10,37	3/8"	20,25	40	45	40	25	40	30
YDGA050300800	60	50	30	800	1010	940	12,83	3/8"	20,25	40	45	40	25	40	30
YDGA050301000	60	50	30	1000	1210	1140	15,30	3/8"	20,25	40	45	40	25	40	30
YDGA060300100	70	60	30	100	340	260	6,09	3/8"	25,25	50	50	50	30	45	35
YDGA060300150	70	60	30	150	390	310	6,82	3/8"	25,25	50	50	50	30	45	35
YDGA060300200	70	60	30	200	440	360	7,47	3/8"	25,25	50	50	50	30	45	35
YDGA060300250	70	60	30	250	490	410	8,14	3/8"	25,25	50	50	50	30	45	35
YDGA060300300	70	60	30	300	540	460	8,82	3/8"	25,25	50	50	50	30	45	35
YDGA060300350	70	60	30	350	590	510	9,47	3/8"	25,25	50	50	50	30	45	35
YDGA060300400	70	60	30	400	640	560	10,17	3/8"	25,25	50	50	50	30	45	35
YDGA060300450	70	60	30	450	690	610	10,80	3/8"	25,25	50	50	50	30	45	35
YDGA060300500	70	60	30	500	740	660	11,52	3/8"	25,25	50	50	50	30	45	35
YDGA060300550	70	60	30	550	790	710	12,13	3/8"	25,25	50	50	50	30	45	35
YDGA060300600	70	60	30	600	840	760	12,87	3/8"	25,25	50	50	50	30	45	35
YDGA060300800	70	60	30	800	1040	960	15,53	3/8"	25,25	50	50	50	30	45	35
YDGA060301000	70	60	30	1000	1240	1160	18,27	3/8"	25,25	50	50	50	30	45	35
YDGA060350100	70	60	35	100	340	260	6,34	3/8"	25,25	50	50	50	30	45	35
YDGA060350150	70	60	35	150	390	310	7,12	3/8"	25,25	50	50	50	30	45	35
YDGA060350200	70	60	35	200	440	360	7,87	3/8"	25,25	50	50	50	30	45	35
YDGA060350250	70	60	35	250	490	410	8,67	3/8"	25,25	50	50	50	30	45	35
YDGA060350300	70	60	35	300	540	460	9,42	3/8"	25,25	50	50	50	30	45	35
YDGA060350350	70	60	35	350	590	510	10,21	3/8"	25,25	50	50	50	30	45	35
YDGA060350400	70	60	35	400	640	560	10,99	3/8"	25,25	50	50	50	30	45	35
YDGA060350450	70	60	35	450	690	610	11,74	3/8"	25,25	50	50	50	30	45	35
YDGA060350500	70	60	35	500	740	660	12,52	3/8"	25,25	50	50	50	30	45	35
YDGA060350550	70	60	35	550	790	710	13,27	3/8"	25,25	50	50	50	30	45	35
YDGA060350600	70	60	35	600	840	760	14,08	3/8"	25,25	50	50	50	30	45	35
YDGA060350800	70	60	35	800	1040	960	17,14	3/8"	25,25	50	50	50	30	45	35

Specificaties:  
 Constante snelheid: 0,2 m/s  
 Maximale snelheid: 0,5 m/s  
 Piek druk maximaal: 250 bar  
 Werktemperatuur °C:  
 -25° +80°  
 Stang: staal UNI C45  
 Chrom 25 Micron +/- 5  
 Buis: staal 52.3  
 DIN2393 - ISO H9

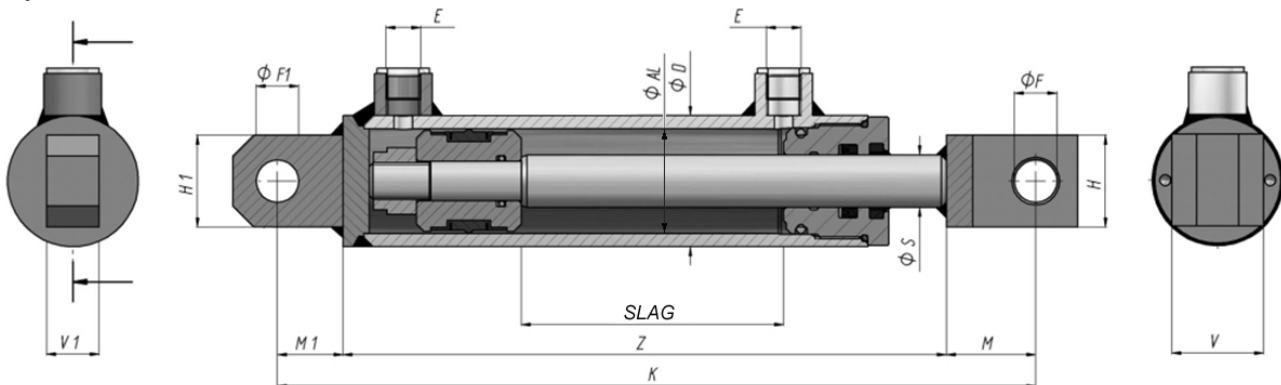
Hydraulische cilinder dubbelwerkend serie YDGA



Bestelnummer	ØD	ØAL	ØS	slag	K	Z	kg.	E	ØF ØF1	H H1	V	V1	M	M1
YDGA060400200	70	60	40	200	440	360	8,52	3/8"	25,25	50	50	30	45	35
YDGA060400250	70	60	40	250	490	410	9,41	3/8"	25,25	50	50	30	45	35
YDGA060400300	70	60	40	300	540	460	10,30	3/8"	25,25	50	50	30	45	35
YDGA060400350	70	60	40	350	590	510	11,17	3/8"	25,25	50	50	30	45	35
YDGA060400400	70	60	40	400	640	560	12,06	3/8"	25,25	50	50	30	45	35
YDGA060400450	70	60	40	450	690	610	12,91	3/8"	25,25	50	50	30	45	35
YDGA060400500	70	60	40	500	740	660	13,79	3/8"	25,25	50	50	30	45	35
YDGA060400550	70	60	40	550	790	710	14,72	3/8"	25,25	50	50	30	45	35
YDGA060400600	70	60	40	600	840	760	15,57	3/8"	25,25	50	50	30	45	35
YDGA060400800	70	60	40	800	1040	960	19,09	3/8"	25,25	50	50	30	45	35
YDGA060401000	70	60	40	1000	1240	1160	22,67	3/8"	25,25	50	50	30	45	35
YDGA070350100	80	70	35	100	340	260	7,36	3/8"	25,25	50	50	30	45	35
YDGA070350150	80	70	35	150	390	310	8,22	3/8"	25,25	50	50	30	45	35
YDGA070350200	80	70	35	200	440	360	9,01	3/8"	25,25	50	50	30	45	35
YDGA070350250	80	70	35	250	490	410	9,87	3/8"	25,25	50	50	30	45	35
YDGA070350300	80	70	35	300	540	460	10,67	3/8"	25,25	50	50	30	45	35
YDGA070350350	80	70	35	350	590	510	11,53	3/8"	25,25	50	50	30	45	35
YDGA070350400	80	70	35	400	640	560	12,27	3/8"	25,25	50	50	30	45	35
YDGA070350450	80	70	35	450	690	610	13,15	3/8"	25,25	50	50	30	45	35
YDGA070350500	80	70	35	500	740	660	13,87	3/8"	25,25	50	50	30	45	35
YDGA070350550	80	70	35	550	790	710	14,93	3/8"	25,25	50	50	30	45	35
YDGA070350600	80	70	35	600	840	760	15,47	3/8"	25,25	50	50	30	45	35
YDGA070350800	80	70	35	800	1040	960	18,83	3/8"	25,25	50	50	30	45	35
YDGA070351000	80	70	35	1000	1240	1160	22,53	3/8"	25,25	50	50	30	45	35
YDGA070400200	80	70	40	200	440	360	9,55	3/8"	25,25	50	50	30	45	35
YDGA070400250	80	70	40	250	490	410	10,53	3/8"	25,25	50	50	30	45	35
YDGA070400300	80	70	40	300	540	460	11,51	3/8"	25,25	50	50	30	45	35
YDGA070400350	80	70	40	350	590	510	12,47	3/8"	25,25	50	50	30	45	35
YDGA070400400	80	70	40	400	640	560	14,07	3/8"	25,25	50	50	30	45	35
YDGA070400450	80	70	40	450	690	610	14,38	3/8"	25,25	50	50	30	45	35
YDGA070400500	80	70	40	500	740	660	15,28	3/8"	25,25	50	50	30	45	35
YDGA070400550	80	70	40	550	790	710	16,37	3/8"	25,25	50	50	30	45	35
YDGA070400600	80	70	40	600	840	760	17,26	3/8"	25,25	50	50	30	45	35
YDGA070400800	80	70	40	800	1040	960	21,00	3/8"	25,25	50	50	30	45	35
YDGA070401000	80	70	40	1000	1240	1160	24,78	3/8"	25,25	50	50	30	45	35

Specificaties:  
 Constante snelheid: 0,2 m/s  
 Maximale snelheid: 0,5 m/s  
 Piek druk maximaal: 250 bar  
 Werktemperatuur °C:  
 -25° +80°  
 Stang: staal UNI C45  
 Chrom 25 Micron +/- 5  
 Buis: staal 52.3  
 DIN2393 - ISO H9

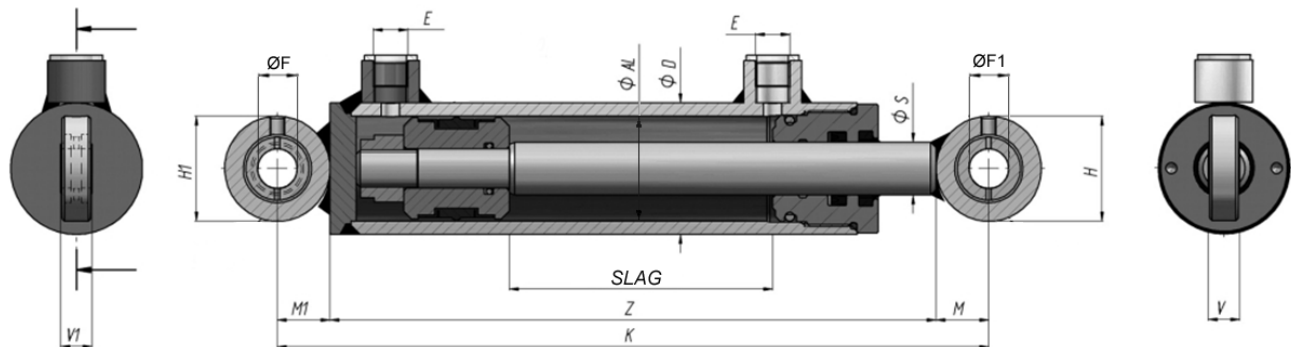
Hydraulische cilinder dubbelwerkend serie YDGA



Bestelnummer	ØD	ØAL	ØS	slag	K	Z	kg.	E	ØF ØF1	H H1	V	V1	M	M1
YDGA080400200	92	80	40	200	475	380	13,15	1/2"	30,25	60	60	35	50	45
YDGA080400250	92	80	40	250	525	430	14,29	1/2"	30,25	60	60	35	50	45
YDGA080400300	92	80	40	300	575	480	15,42	1/2"	30,25	60	60	35	50	45
YDGA080400400	92	80	40	400	675	580	17,63	1/2"	30,25	60	60	35	50	45
YDGA080400500	92	80	40	500	775	680	19,84	1/2"	30,25	60	60	35	50	45
YDGA080400600	92	80	40	600	875	780	22,05	1/2"	30,25	60	60	35	50	45
YDGA080400800	92	80	40	800	1075	980	26,57	1/2"	30,25	60	60	35	50	45
YDGA080401000	92	80	40	1000	1275	1180	30,99	1/2"	30,25	60	60	35	50	45
YDGA080500200	92	80	50	200	475	380	14,42	1/2"	30,25	60	60	35	50	45
YDGA080500250	92	80	50	250	525	430	15,80	1/2"	30,25	60	60	35	50	45
YDGA080500300	92	80	50	300	575	480	17,22	1/2"	30,25	60	60	35	50	45
YDGA080500400	92	80	50	400	675	580	20,02	1/2"	30,25	60	60	35	50	45
YDGA080500500	92	80	50	500	775	680	22,78	1/2"	30,25	60	60	35	50	45
YDGA080500600	92	80	50	600	875	780	26,07	1/2"	30,25	60	60	35	50	45
YDGA080500800	92	80	50	800	1075	980	31,57	1/2"	30,25	60	60	35	50	45
YDGA080501000	92	80	50	1000	1275	1180	37,07	1/2"	30,25	60	60	35	50	45
YDGA100500200	115	100	50	200	520	410	22,70	1/2"	35,25	70	70	40	55	55
YDGA100500250	115	100	50	250	570	460	24,70	1/2"	35,25	70	70	40	55	55
YDGA100500300	115	100	50	300	620	510	26,20	1/2"	35,25	70	70	40	55	55
YDGA100500400	115	100	50	400	720	610	29,70	1/2"	35,25	70	70	40	55	55
YDGA100500500	115	100	50	500	820	710	33,20	1/2"	35,25	70	70	40	55	55
YDGA100500600	115	100	50	600	920	810	36,70	1/2"	35,25	70	70	40	55	55
YDGA100500800	115	100	50	800	1120	1010	43,70	1/2"	35,25	70	70	40	55	55
YDGA100501000	115	100	50	1000	1320	1210	50,70	1/2"	35,25	70	70	40	55	55
YDGA100600300	115	100	60	300	620	510	28,70	1/2"	35,25	70	70	40	55	55
YDGA100600400	115	100	60	400	720	610	32,70	1/2"	35,25	70	70	40	55	55
YDGA100500500	115	100	60	500	820	710	36,70	1/2"	35,25	70	70	40	55	55
YDGA100600600	115	100	60	600	920	810	40,70	1/2"	35,25	70	70	40	55	55
YDGA100600800	115	100	60	800	1120	1010	49,20	1/2"	35,25	70	70	40	55	55
YDGA100601000	115	100	60	1000	1320	1210	57,70	1/2"	35,25	70	70	40	55	55

Specificaties:  
 Constante snelheid: 0,2 m/s  
 Maximale snelheid: 0,5 m/s  
 Piek druk maximaal: 250 bar  
 Werktemperatuur °C:  
 -25° +80°  
 Stang: staal UNI C45  
 Chrom 25 Micron +/- 5  
 Buis: staal 52.3  
 DIN2393 - ISO H9

Hydraulische cilinder dubbelwerkend serie YDC

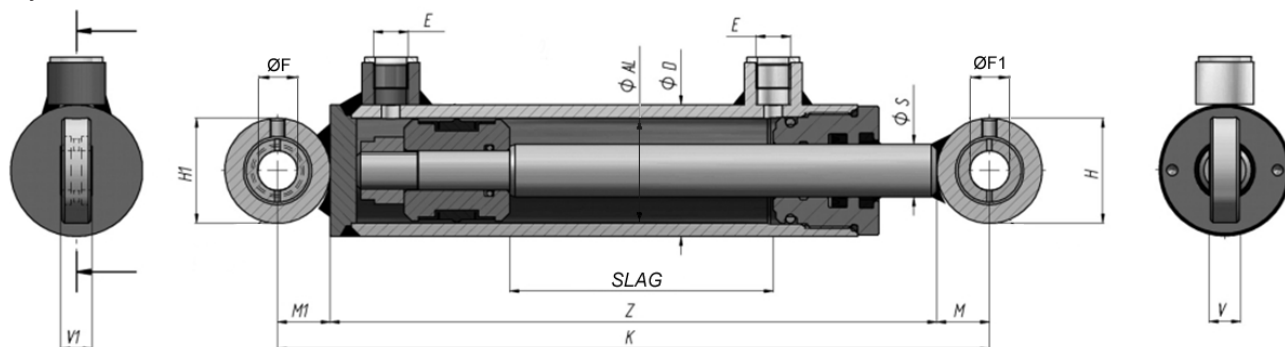


Bestelnummer	ØD	ØAL	ØS	slag	K	Z	kg.	E	ØF ØF1	H H1	V V1	MM1
YDC040200100	50	40	20	100	270	230	2,45	1/4"	15	40	12	20
YDC040200150	50	40	20	150	320	280	2,85	1/4"	15	40	12	20
YDC040200200	50	40	20	200	370	330	3,23	1/4"	15	40	12	20
YDC040200250	50	40	20	250	420	380	3,63	1/4"	15	40	12	20
YDC040200300	50	40	20	300	470	430	4,03	1/4"	15	40	12	20
YDC040200350	50	40	20	350	520	480	4,45	1/4"	15	40	12	20
YDC040200400	50	40	20	400	570	530	4,83	1/4"	15	40	12	20
YDC040200450	50	40	20	450	620	580	5,26	1/4"	15	40	12	20
YDC040200500	50	40	20	500	670	630	5,67	1/4"	15	40	12	20
YDC040250150	50	40	25	150	320	280	3,13	1/4"	15	40	12	20
YDC040250200	50	40	25	200	370	330	3,57	1/4"	15	40	12	20
YDC040250250	50	40	25	250	420	380	4,03	1/4"	15	40	12	20
YDC040250300	50	40	25	300	470	430	4,50	1/4"	15	40	12	20
YDC040250350	50	40	25	350	520	480	4,97	1/4"	15	40	12	20
YDC040250400	50	40	25	400	570	530	5,44	1/4"	15	40	12	20
YDC040250450	50	40	25	450	620	580	5,90	1/4"	15	40	12	20
YDC040250500	50	40	25	500	670	630	6,38	1/4"	15	40	12	20
YDC040250550	50	40	25	550	720	680	6,78	1/4"	15	40	12	20
YDC040250600	50	40	25	600	770	730	7,31	1/4"	15	40	12	20
YDC050250100	60	50	25	100	290	240	3,63	3/8"	20	50	16	25
YDC050250150	60	50	25	150	340	290	4,17	3/8"	20	50	16	25
YDC050250200	60	50	25	200	390	340	4,68	3/8"	20	50	16	25
YDC050250250	60	50	25	250	440	390	5,19	3/8"	20	50	16	25
YDC050250300	60	50	25	300	490	440	5,69	3/8"	20	50	16	25
YDC050250350	60	50	25	350	540	490	6,28	3/8"	20	50	16	25
YDC050250400	60	50	25	400	590	540	6,74	3/8"	20	50	16	25
YDC050250450	60	50	25	450	640	590	7,64	3/8"	20	50	16	25
YDC050250500	60	50	25	500	690	640	7,77	3/8"	20	50	16	25
YDC050250550	60	50	25	550	740	690	8,40	3/8"	20	50	16	25
YDC050250600	60	50	25	600	790	740	8,80	3/8"	20	50	16	25
YDC050250800	60	50	25	800	990	940	11,05	3/8"	20	50	16	25
YDC050251000	60	50	25	1000	1190	1140	13,21	3/8"	20	50	16	25
YDC050300150	60	50	30	150	340	290	4,45	3/8"	20	50	16	25
YDC050300200	60	50	30	200	390	340	5,08	3/8"	20	50	16	25
YDC050300250	60	50	30	250	440	390	5,69	3/8"	20	50	16	25

Specificaties:  
 Constante snelheid: 0,2 m/s  
 Maximale snelheid: 0,5 m/s  
 Piek druk maximaal: 250 bar  
 Werktemperatuur °C:  
 -25° + 80°  
 Stang: staal UNI C45  
 Chrom 25 Micron +/- 5  
 Buis: staal 52.3  
 DIN2393 - ISO H9



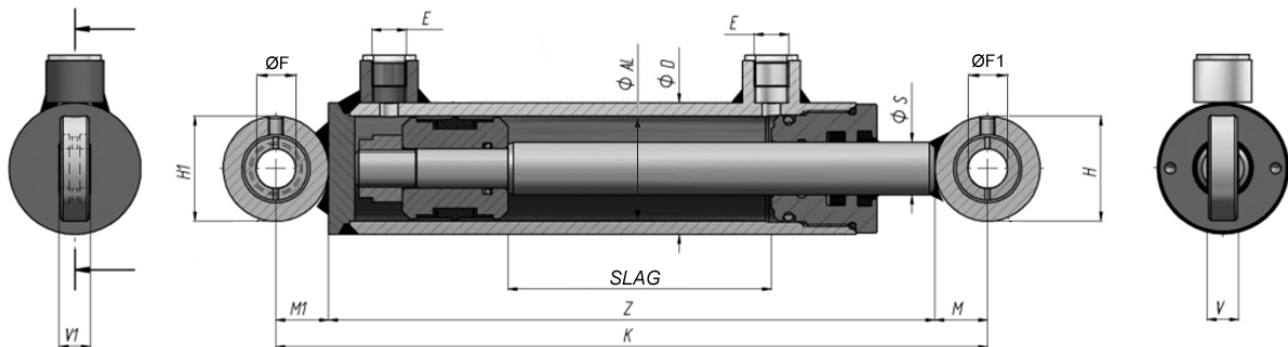
Hydraulische cilinder dubbelwerkend serie YDC



Bestelnummer	ØD	ØAL	ØS	slag	K	Z	kg.	E	ØF ØF1	H H1	V V1	MM1
YDC050300300	60	50	30	300	490	440	6,31	3/8"	20	50	16	25
YDC050300350	60	50	30	350	540	490	6,89	3/8"	20	50	16	25
YDC050300400	60	50	30	400	590	540	7,54	3/8"	20	50	16	25
YDC050300450	60	50	30	450	640	590	8,14	3/8"	20	50	16	25
YDC050300500	60	50	30	500	690	640	8,76	3/8"	20	50	16	25
YDC050300550	60	50	30	550	740	690	9,38	3/8"	20	50	16	25
YDC050300600	60	50	30	600	790	740	9,98	3/8"	20	50	16	25
YDC050300800	60	50	30	800	990	940	12,44	3/8"	20	50	16	25
YDC050301000	60	50	30	1000	1190	1140	14,91	3/8"	20	50	16	25
YDC060300100	70	60	30	100	329	260	5,74	3/8"	25	69	20	34,5
YDC060300150	70	60	30	150	379	310	6,47	3/8"	25	69	20	34,5
YDC060300200	70	60	30	200	429	360	7,12	3/8"	25	69	20	34,5
YDC060300250	70	60	30	250	479	410	7,79	3/8"	25	69	20	34,5
YDC060300300	70	60	30	300	529	460	8,47	3/8"	25	69	20	34,5
YDC060300350	70	60	30	350	579	510	9,12	3/8"	25	69	20	34,5
YDC060300400	70	60	30	400	629	560	9,82	3/8"	25	69	20	34,5
YDC060300450	70	60	30	450	679	610	10,45	3/8"	25	69	20	34,5
YDC060300500	70	60	30	500	729	660	11,17	3/8"	25	69	20	34,5
YDC060300550	70	60	30	550	779	710	11,78	3/8"	25	69	20	34,5
YDC060300600	70	60	30	600	829	760	12,52	3/8"	25	69	20	34,5
YDC060300800	70	60	30	800	1029	960	15,18	3/8"	25	69	20	34,5
YDC060301000	70	60	30	1000	1229	1160	17,92	3/8"	25	69	20	34,5
YDC060350100	70	60	35	100	329	260	5,99	3/8"	25	69	20	34,5
YDC060350150	70	60	35	150	379	310	6,77	3/8"	25	69	20	34,5
YDC060350200	70	60	35	200	429	360	7,52	3/8"	25	69	20	34,5
YDC060350250	70	60	35	250	479	410	8,32	3/8"	25	69	20	34,5
YDC060350300	70	60	35	300	529	460	9,07	3/8"	25	69	20	34,5
YDC060350350	70	60	35	350	579	510	9,86	3/8"	25	69	20	34,5
YDC060350400	70	60	35	400	629	560	10,64	3/8"	25	69	20	34,5
YDC060350450	70	60	35	450	679	610	11,39	3/8"	25	69	20	34,5
YDC060350500	70	60	35	500	729	660	12,17	3/8"	25	69	20	34,5
YDC060350550	70	60	35	550	779	710	12,92	3/8"	25	69	20	34,5
YDC060350600	70	60	35	600	829	760	13,73	3/8"	25	69	20	34,5
YDC060350800	70	60	35	800	1029	960	16,79	3/8"	25	69	20	34,5
YDC060351000	70	60	35	1000	1229	1160	19,85	3/8"	25	69	20	34,5

Specificaties:  
 Constante snelheid: 0,2 m/s  
 Maximale snelheid: 0,5 m/s  
 Piek druk maximaal: 250 bar  
 Werktemperatuur °C:  
 -25° + 80°  
 Stang: staal UNI C45  
 Chrom 25 Micron +/- 5  
 Buis: staal 52.3  
 DIN2393 - ISO H9

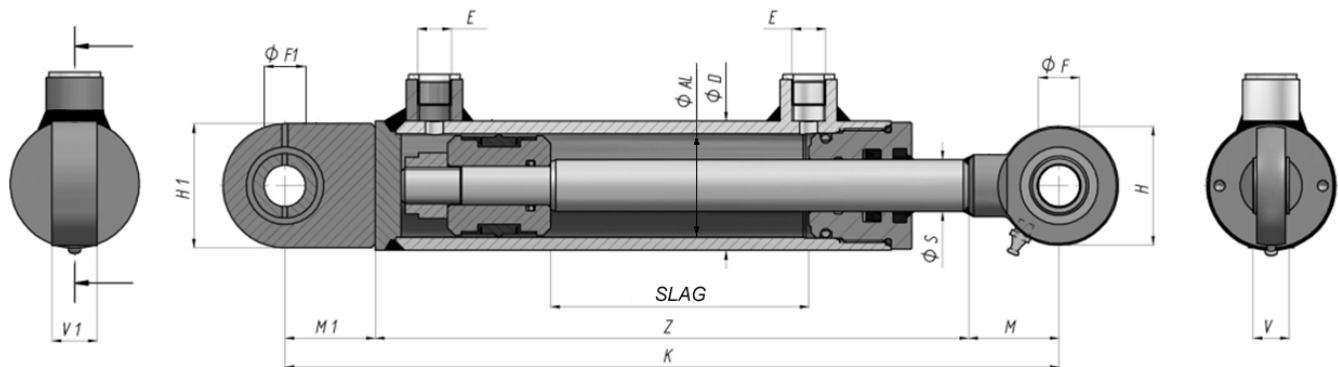
Hydraulische cilinder dubbelwerkend serie YDC



Bestelnummer	ØD	ØAL	ØS	slag	K	Z	kg.	E	ØF ØF1	H H1	V V1	MM1
YDC060400200	70	60	40	200	429	360	8,17	3/8"	25 69	20	34,5	
YDC060400250	70	60	40	250	479	410	9,06	3/8"	25 69	20	34,5	
YDC060400300	70	60	40	300	529	460	9,95	3/8"	25 69	20	34,5	
YDC060400350	70	60	40	350	579	510	10,82	3/8"	25 69	20	34,5	
YDC060400400	70	60	40	400	629	560	11,71	3/8"	25 69	20	34,5	
YDC060400450	70	60	40	450	679	610	12,56	3/8"	25 69	20	34,5	
YDC060400500	70	60	40	500	729	660	13,44	3/8"	25 69	20	34,5	
YDC060400550	70	60	40	550	779	710	14,37	3/8"	25 69	20	34,5	
YDC060400600	70	60	40	600	829	760	15,22	3/8"	25 69	20	34,5	
YDC060400800	70	60	40	800	1029	960	18,74	3/8"	25 69	20	34,5	
YDC060401000	70	60	40	1000	1229	1160	22,32	3/8"	25 69	20	34,5	
YDC070350100	80	70	35	100	329	260	7,01	3/8"	25 69	20	34,5	
YDC070350150	80	70	35	150	379	310	7,87	3/8"	25 69	20	34,5	
YDC070350200	80	70	35	200	429	360	8,66	3/8"	25 69	20	34,5	
YDC070350250	80	70	35	250	479	410	9,52	3/8"	25 69	20	34,5	
YDC070350300	80	70	35	300	529	460	10,32	3/8"	25 69	20	34,5	
YDC070350350	80	70	35	350	579	510	11,18	3/8"	25 69	20	34,5	
YDC070350400	80	70	35	400	629	560	11,92	3/8"	25 69	20	34,5	
YDC070350450	80	70	35	450	679	610	12,80	3/8"	25 69	20	34,5	
YDC070350500	80	70	35	500	729	660	13,52	3/8"	25 69	20	34,5	
YDC070350550	80	70	35	550	779	710	14,58	3/8"	25 69	20	34,5	
YDC070350600	80	70	35	600	829	760	15,12	3/8"	25 69	20	34,5	
YDC070350800	80	70	35	800	1029	960	18,48	3/8"	25 69	20	34,5	
YDC070351000	80	70	35	1000	1229	1160	22,18	3/8"	25 69	20	34,5	
YDC070400200	80	70	40	200	429	360	9,20	3/8"	25 69	20	34,5	
YDC070400250	80	70	40	250	479	410	10,18	3/8"	25 69	20	34,5	
YDC070400300	80	70	40	300	529	460	11,16	3/8"	25 69	20	34,5	
YDC070400350	80	70	40	350	579	510	12,12	3/8"	25 69	20	34,5	
YDC070400400	80	70	40	400	629	560	13,72	3/8"	25 69	20	34,5	
YDC070400450	80	70	40	450	679	610	14,03	3/8"	25 69	20	34,5	
YDC070400500	80	70	40	500	729	660	14,93	3/8"	25 69	20	34,5	
YDC070400550	80	70	40	550	779	710	16,02	3/8"	25 69	20	34,5	
YDC070400600	80	70	40	600	829	760	16,91	3/8"	25 69	20	34,5	
YDC070400800	80	70	40	800	1029	960	20,65	3/8"	25 69	20	34,5	
YDC070401000	80	70	40	1000	1229	1160	24,43	3/8"	25 69	20	34,5	

Specificaties:  
 Constante snelheid: 0,2 m/s  
 Maximale snelheid: 0,5 m/s  
 Piek druk maximaal: 250 bar  
 Werktemperatuur °C:  
 -25° + 80°  
 Stang: staal UNI C45  
 Chrom 25 Micron +/- 5  
 Buis: staal 52.3  
 DIN2393 - ISO H9

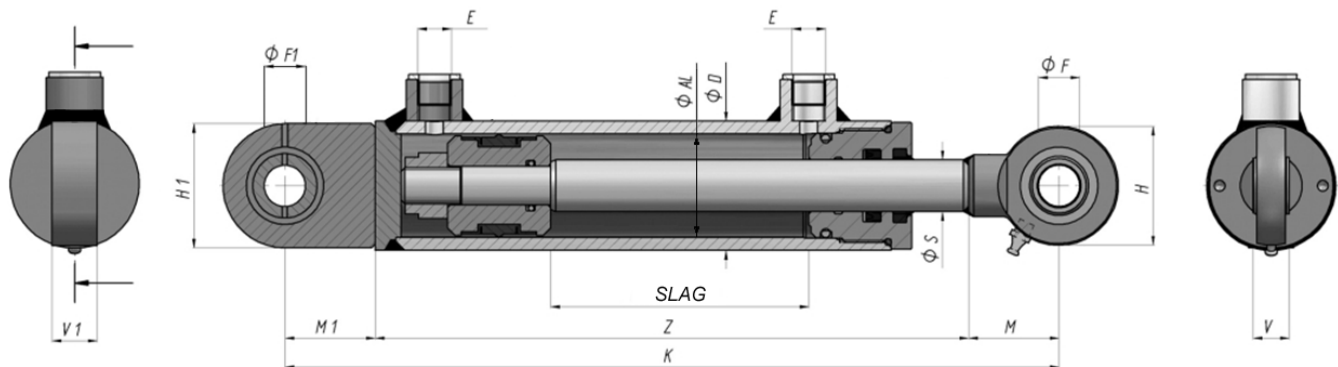
Hydraulische cilinder dubbelwerkend serie YDGL



Bestelnummer	ØD	ØAL	ØS	slag	K	Z	kg.	E	ØF ØF1	H	H1	V	V1	M M1
YDGL040200100	50	40	20	100	300	230	2,72	1/4"	16	46	48	14	17,5	35
YDGL040200150	50	40	20	150	350	280	3,12	1/4"	16	46	48	14	17,5	35
YDGL040200200	50	40	20	200	400	330	3,50	1/4"	16	46	48	14	17,5	35
YDGL040200250	50	40	20	250	450	380	3,90	1/4"	16	46	48	14	17,5	35
YDGL040200300	50	40	20	300	500	430	4,30	1/4"	16	46	48	14	17,5	35
YDGL040200350	50	40	20	350	550	480	4,72	1/4"	16	46	48	14	17,5	35
YDGL040200400	50	40	20	400	600	530	5,10	1/4"	16	46	48	14	17,5	35
YDGL040200450	50	40	20	450	650	580	5,53	1/4"	16	46	48	14	17,5	35
YDGL040200500	50	40	20	500	700	630	5,94	1/4"	16	46	48	14	17,5	35
YDGL040250150	50	40	25	150	350	280	3,40	1/4"	16	46	48	14	17,5	35
YDGL040250200	50	40	25	200	400	330	3,84	1/4"	16	46	48	14	17,5	35
YDGL040250250	50	40	25	250	450	380	4,30	1/4"	16	46	48	14	17,5	35
YDGL040250300	50	40	25	300	500	430	4,77	1/4"	16	46	48	14	17,5	35
YDGL040250350	50	40	25	350	550	480	5,24	1/4"	16	46	48	14	17,5	35
YDGL040250400	50	40	25	400	600	530	5,71	1/4"	16	46	48	14	17,5	35
YDGL040250450	50	40	25	450	650	580	6,17	1/4"	16	46	48	14	17,5	35
YDGL040250500	50	40	25	500	700	630	6,65	1/4"	16	46	48	14	17,5	35
YDGL040250550	50	40	25	550	750	680	7,05	1/4"	16	46	48	14	17,5	35
YDGL040250600	50	40	25	600	800	730	7,58	1/4"	16	46	48	14	17,5	35
YDGL050250100	60	50	25	100	316	240	3,89	3/8"	20	53	50	16	19	38
YDGL050250150	60	50	25	150	366	290	4,43	3/8"	20	53	50	16	19	38
YDGL050250200	60	50	25	200	416	340	4,94	3/8"	20	53	50	16	19	38
YDGL050250250	60	50	25	250	466	390	5,45	3/8"	20	53	50	16	19	38
YDGL050250300	60	50	25	300	516	440	5,95	3/8"	20	53	50	16	19	38
YDGL050250350	60	50	25	350	566	490	6,54	3/8"	20	53	50	16	19	38
YDGL050250400	60	50	25	400	616	540	7,00	3/8"	20	53	50	16	19	38
YDGL050250450	60	50	25	450	666	590	7,90	3/8"	20	53	50	16	19	38
YDGL050250500	60	50	25	500	716	640	8,03	3/8"	20	53	50	16	19	38
YDGL050250550	60	50	25	550	766	690	8,66	3/8"	20	53	50	16	19	38
YDGL050250600	60	50	25	600	816	740	9,06	3/8"	20	53	50	16	19	38
YDGL050250800	60	50	25	800	1016	940	11,31	3/8"	20	53	50	16	19	38
YDGL050251000	60	50	25	1000	1216	1140	13,47	3/8"	20	53	50	16	19	38
YDGL050300150	60	50	30	150	366	290	4,71	3/8"	20	53	50	16	19	38
YDGL050300200	60	50	30	200	416	340	5,34	3/8"	20	53	50	16	19	38
YDGL050300250	60	50	30	250	466	390	5,95	3/8"	20	53	50	16	19	38

Specificaties:  
 Constante snelheid: 0,2 m/s  
 Maximale snelheid: 0,5 m/s  
 Piek druk maximaal: 200 bar  
 Werktemperatuur °C:  
 -25° + 80°  
 Stang: staal UNI C45  
 Chrom 25 Micron +/- 5  
 Buis: staal 52.3  
 DIN2393 - ISO H9

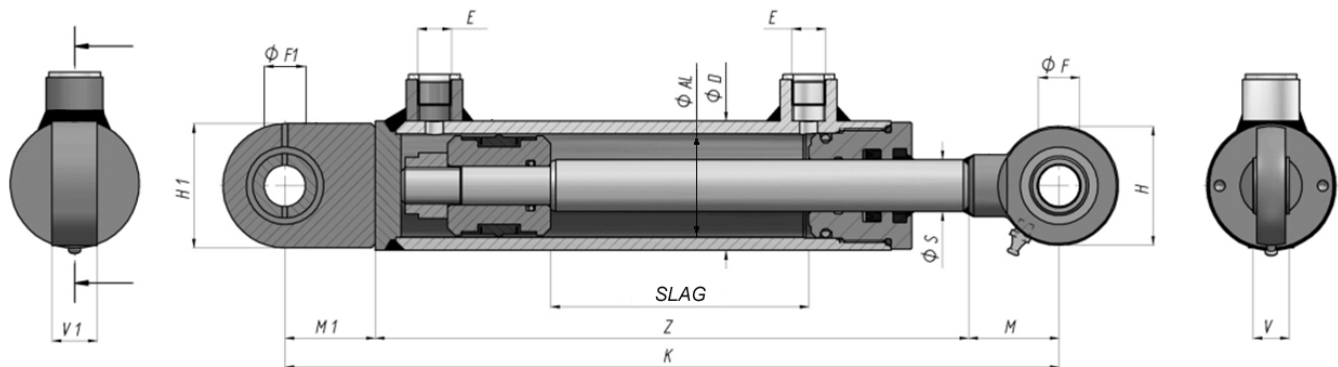
Hydraulische cilinder dubbelwerkend serie YDGL



Bestelnummer	ØD	ØAL	ØS	slag	K	Z	kg.	E	ØF ØF1	H	H1	V	V1	M M1
YDGL050300300	60	50	30	300	516	440	6,57	3/8"	20	53	50	16	19	38
YDGL050300350	60	50	30	350	566	490	7,15	3/8"	20	53	50	16	19	38
YDGL050300400	60	50	30	400	616	540	7,80	3/8"	20	53	50	16	19	38
YDGL050300450	60	50	30	450	666	590	8,40	3/8"	20	53	50	16	19	38
YDGL050300500	60	50	30	500	716	640	9,02	3/8"	20	53	50	16	19	38
YDGL050300550	60	50	30	550	766	690	9,64	3/8"	20	53	50	16	19	38
YDGL050300600	60	50	30	600	816	740	10,24	3/8"	20	53	50	16	19	38
YDGL050300800	60	50	30	800	1016	940	12,70	3/8"	20	53	50	16	19	38
YDGL050301000	60	50	30	1000	1216	1140	15,17	3/8"	20	53	50	16	19	38
YDGL060300100	70	60	30	100	350	260	5,80	3/8"	25	64	55	20	23	45
YDGL060300150	70	60	30	150	400	310	6,53	3/8"	25	64	55	20	23	45
YDGL060300200	70	60	30	200	450	360	7,18	3/8"	25	64	55	20	23	45
YDGL060300250	70	60	30	250	500	410	7,85	3/8"	25	64	55	20	23	45
YDGL060300300	70	60	30	300	550	460	8,53	3/8"	25	64	55	20	23	45
YDGL060300350	70	60	30	350	600	510	9,18	3/8"	25	64	55	20	23	45
YDGL060300400	70	60	30	400	650	560	9,88	3/8"	25	64	55	20	23	45
YDGL060300450	70	60	30	450	700	610	10,51	3/8"	25	64	55	20	23	45
YDGL060300500	70	60	30	500	750	660	11,23	3/8"	25	64	55	20	23	45
YDGL060300550	70	60	30	550	800	710	11,84	3/8"	25	64	55	20	23	45
YDGL060300600	70	60	30	600	850	760	12,58	3/8"	25	64	55	20	23	45
YDGL060300800	70	60	30	800	1050	960	15,24	3/8"	25	64	55	20	23	45
YDGL060301000	70	60	30	1000	1250	1160	17,98	3/8"	25	64	55	20	23	45
YDGL060350100	70	60	35	100	350	260	6,05	3/8"	25	64	55	20	23	45
YDGL060350150	70	60	35	150	400	310	6,83	3/8"	25	64	55	20	23	45
YDGL060350200	70	60	35	200	450	360	7,58	3/8"	25	64	55	20	23	45
YDGL060350250	70	60	35	250	500	410	8,38	3/8"	25	64	55	20	23	45
YDGL060350300	70	60	35	300	550	460	9,13	3/8"	25	64	55	20	23	45
YDGL060350350	70	60	35	350	600	510	9,92	3/8"	25	64	55	20	23	45
YDGL060350400	70	60	35	400	650	560	10,70	3/8"	25	64	55	20	23	45
YDGL060350450	70	60	35	450	700	610	11,45	3/8"	25	64	55	20	23	45
YDGL060350500	70	60	35	500	750	660	12,23	3/8"	25	64	55	20	23	45
YDGL060350550	70	60	35	550	800	710	12,98	3/8"	25	64	55	20	23	45
YDGL060350600	70	60	35	600	850	760	13,79	3/8"	25	64	55	20	23	45
YDGL060350800	70	60	35	800	1050	960	16,85	3/8"	25	64	55	20	23	45
YDGL060351000	70	60	35	1000	1250	1160	19,91	3/8"	25	64	55	20	23	45

Specificaties:  
 Constante snelheid: 0,2 m/s  
 Maximale snelheid: 0,5 m/s  
 Piek druk maximaal: 200 bar  
 Werktemperatuur °C:  
 -25° + 80°  
 Stang: staal UNI C45  
 Chrom 25 Micron +/- 5  
 Buis: staal 52.3  
 DIN2393 - ISO H9

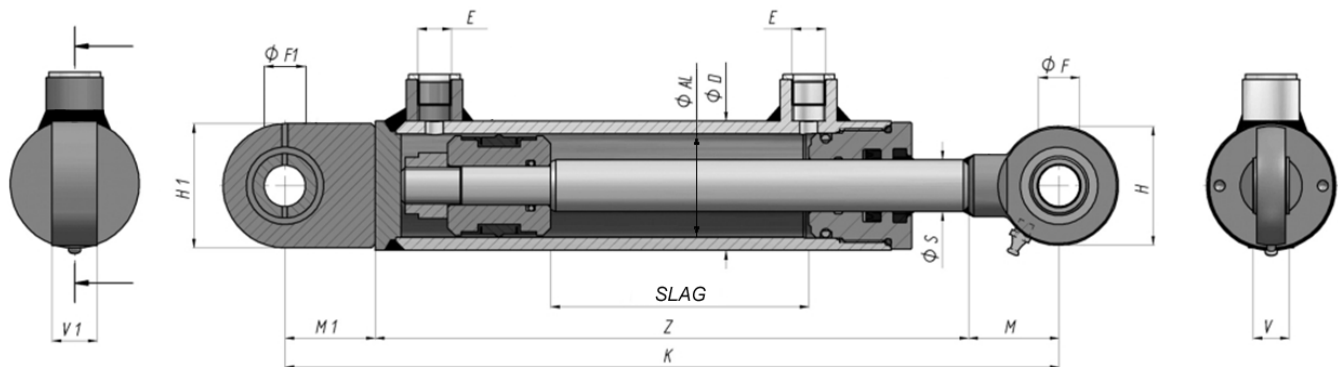
Hydraulische cilinder dubbelwerkend serie YDGL



Bestelnummer	ØD	ØAL	ØS	slag	K	Z	kg.	E	ØF ØF1	H	H1	V	V1	M M1
YDGL060400200	70	60	40	200	450	360	8,23	3/8"	25	64	55	20	23	45
YDGL060400250	70	60	40	250	500	410	9,12	3/8"	25	64	55	20	23	45
YDGL060400300	70	60	40	300	550	460	10,01	3/8"	25	64	55	20	23	45
YDGL060400350	70	60	40	350	600	510	10,88	3/8"	25	64	55	20	23	45
YDGL060400400	70	60	40	400	650	560	11,77	3/8"	25	64	55	20	23	45
YDGL060400450	70	60	40	450	700	610	12,62	3/8"	25	64	55	20	23	45
YDGL060400500	70	60	40	500	750	660	13,50	3/8"	25	64	55	20	23	45
YDGL060400550	70	60	40	550	800	710	14,43	3/8"	25	64	55	20	23	45
YDGL060400600	70	60	40	600	850	760	15,28	3/8"	25	64	55	20	23	45
YDGL060400800	70	60	40	800	1050	960	18,80	3/8"	25	64	55	20	23	45
YDGL060401000	70	60	40	1000	1250	1160	22,38	3/8"	25	64	55	20	23	45
YDGL070350100	80	70	35	100	350	260	7,07	3/8"	25	64	55	20	23	45
YDGL070350150	80	70	35	150	400	310	7,93	3/8"	25	64	55	20	23	45
YDGL070350200	80	70	35	200	450	360	8,72	3/8"	25	64	55	20	23	45
YDGL070350250	80	70	35	250	500	410	9,58	3/8"	25	64	55	20	23	45
YDGL070350300	80	70	35	300	550	460	10,38	3/8"	25	64	55	20	23	45
YDGL070350350	80	70	35	350	600	510	11,24	3/8"	25	64	55	20	23	45
YDGL070350400	80	70	35	400	650	560	11,98	3/8"	25	64	55	20	23	45
YDGL070350450	80	70	35	450	700	610	12,86	3/8"	25	64	55	20	23	45
YDGL070350500	80	70	35	500	750	660	13,58	3/8"	25	64	55	20	23	45
YDGL070350550	80	70	35	550	800	710	14,64	3/8"	25	64	55	20	23	45
YDGL070350600	80	70	35	600	850	760	15,18	3/8"	25	64	55	20	23	45
YDGL070350800	80	70	35	800	1050	960	18,54	3/8"	25	64	55	20	23	45
YDGL070351000	80	70	35	1000	1250	1160	22,24	3/8"	25	64	55	20	23	45
YDGL070400200	80	70	40	200	450	360	9,26	3/8"	25	64	55	20	23	45
YDGL070400250	80	70	40	250	500	410	10,24	3/8"	25	64	55	20	23	45
YDGL070400300	80	70	40	300	550	460	11,22	3/8"	25	64	55	20	23	45
YDGL070400350	80	70	40	350	600	510	12,18	3/8"	25	64	55	20	23	45
YDGL070400400	80	70	40	400	650	560	13,78	3/8"	25	64	55	20	23	45
YDGL070400450	80	70	40	450	700	610	14,09	3/8"	25	64	55	20	23	45
YDGL070400500	80	70	40	500	750	660	14,99	3/8"	25	64	55	20	23	45
YDGL070400550	80	70	40	550	800	710	16,08	3/8"	25	64	55	20	23	45
YDGL070400600	80	70	40	600	850	760	16,97	3/8"	25	64	55	20	23	45
YDGL070400800	80	70	40	800	1050	960	20,71	3/8"	25	64	55	20	23	45
YDGL070401000	80	70	40	1000	1250	1160	24,49	3/8"	25	64	55	20	23	45

Specificaties:  
 Constante snelheid: 0,2 m/s  
 Maximale snelheid: 0,5 m/s  
 Piek druk maximaal: 200 bar  
 Werktemperatuur °C:  
 -25° + 80°  
 Stang: staal UNI C45  
 Chrom 25 Micron +/- 5  
 Buis: staal 52.3  
 DIN2393 - ISO H9

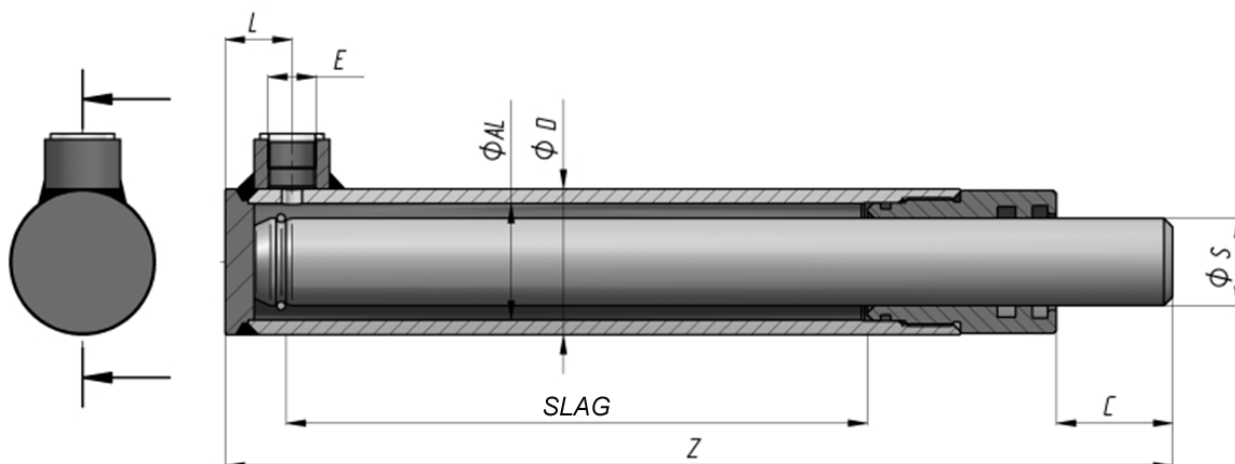
Hydraulische cilinder dubbelwerkend serie YDGL



Bestelnummer	ØD	ØAL	ØS	slag	K	Z	kg.	E	ØF ØF1	H	H1	V	V1	M M1
YDGL080400200	92	80	40	200	482	380	12,28	1/2"	30	73	65	22	28	51
YDGL080400250	92	80	40	250	532	430	13,42	1/2"	30	73	65	22	28	51
YDGL080400300	92	80	40	300	582	480	14,55	1/2"	30	73	65	22	28	51
YDGL080400400	92	80	40	400	682	580	16,76	1/2"	30	73	65	22	28	51
YDGL080400500	92	80	40	500	782	680	18,97	1/2"	30	73	65	22	28	51
YDGL080400600	92	80	40	600	882	780	21,18	1/2"	30	73	65	22	28	51
YDGL080400800	92	80	40	800	1082	980	25,70	1/2"	30	73	65	22	28	51
YDGL080401000	92	80	40	1000	1282	1180	30,12	1/2"	30	73	65	22	28	51
YDGL080500200	92	80	50	200	482	380	13,87	1/2"	30	73	65	22	28	51
YDGL080500250	92	80	50	250	532	430	15,25	1/2"	30	73	65	22	28	51
YDGL080500300	92	80	50	300	582	480	16,67	1/2"	30	73	65	22	28	51
YDGL080500400	92	80	50	400	682	580	19,47	1/2"	30	73	65	22	28	51
YDGL080500500	92	80	50	500	782	680	22,23	1/2"	30	73	65	22	28	51
YDGL080500600	92	80	50	600	882	780	25,52	1/2"	30	73	65	22	28	51
YDGL080500800	92	80	50	800	1082	980	31,02	1/2"	30	73	65	22	28	51
YDGL080501000	92	80	50	1000	1282	1180	36,52	1/2"	30	73	65	22	28	51
YDGL100500200	115	100	50	200	548	410	23,33	1/2"	40	92	100	28	35	69
YDGL100500250	115	100	50	250	598	460	25,33	1/2"	40	92	100	28	35	69
YDGL100500300	115	100	50	300	648	510	26,83	1/2"	40	92	100	28	35	69
YDGL100500400	115	100	50	400	748	610	30,33	1/2"	40	92	100	28	35	69
YDGL100500500	115	100	50	500	848	710	33,83	1/2"	40	92	100	28	35	69
YDGL100500600	115	100	50	600	948	810	37,33	1/2"	40	92	100	28	35	69
YDGL100500800	115	100	50	800	1148	1010	44,33	1/2"	40	92	100	28	35	69
YDGL100501000	115	100	50	1000	1348	1210	51,33	1/2"	40	92	100	28	35	69
YDGL100600300	115	100	60	300	648	510	29,33	1/2"	40	92	100	28	35	69
YDGL100300400	115	100	60	400	748	610	33,33	1/2"	40	92	100	28	35	69
YDGL100600500	115	100	60	500	848	710	37,33	1/2"	40	92	100	28	35	69
YDGL100600600	115	100	60	600	948	810	41,33	1/2"	40	92	100	28	35	69
YDGL100600800	115	100	60	800	1148	1010	49,83	1/2"	40	92	100	28	35	69
YDGL100601000	115	100	60	1000	1348	1210	58,33	1/2"	40	92	100	28	35	69

Specificaties:  
 Constante snelheid: 0,2 m/s  
 Maximale snelheid: 0,5 m/s  
 Piek druk maximaal: 200 bar  
 Werktemperatuur °C:  
 -25° + 80°  
 Stang: staal UNI C45  
 Chrom 25 Micron +/- 5  
 Buis: staal 52.3  
 DIN2393 - ISO H9

Hydraulische verdringer cilinder enkelwerkend serie YSK

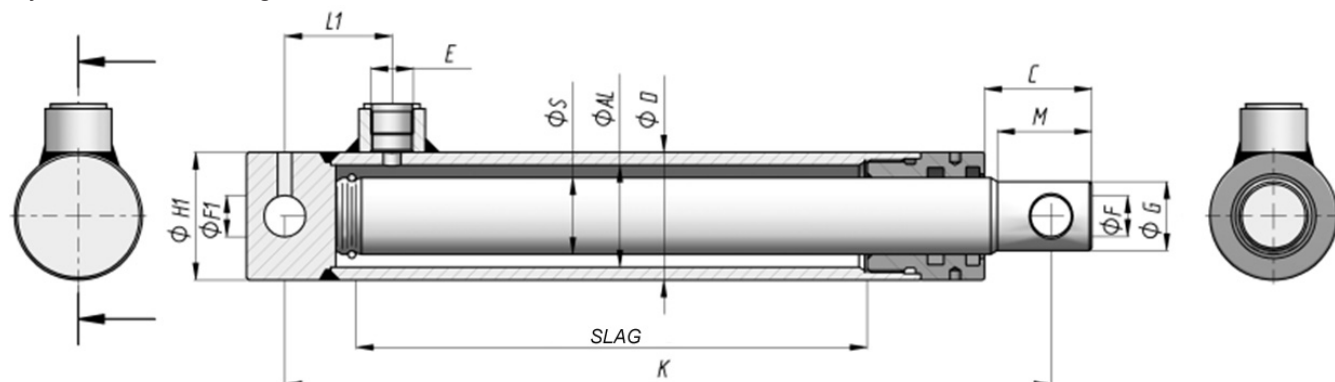


Bestelnummer	ØD	ØAL	ØS	slag	Z	kg.	E	C	L
YSK040300200	50	40	30	200	326	3,64	3/8"	40	23
YSK040300250	50	40	30	250	376	4,19	3/8"	40	23
YSK040300300	50	40	30	300	426	4,75	3/8"	40	23
YSK040300350	50	40	30	350	476	5,31	3/8"	40	23
YSK040300400	50	40	30	400	526	5,86	3/8"	40	23
YSK040300500	50	40	30	500	626	6,96	3/8"	40	23
YSK050400200	60	50	40	200	338	5,64	3/8"	45	26
YSK050400300	60	50	40	300	438	7,29	3/8"	45	26
YSK050400400	60	50	40	400	538	8,98	3/8"	45	26
YSK050400500	60	50	40	500	638	10,61	3/8"	45	26
YSK050400600	60	50	40	600	738	12,28	3/8"	45	26
YSK060500300	70	60	50	300	450	10,47	3/8"	50	30
YSK060500400	70	60	50	400	550	12,86	3/8"	50	30
YSK060500500	70	60	50	500	650	15,14	3/8"	50	30
YSK060500600	70	60	50	600	750	17,50	3/8"	50	30

Specificaties:

Constante snelheid: 0,2 m/s  
 Maximale snelheid: 0,5 m/s  
 Piek druk maximaal: 250 bar  
 Werktemperatuur °C:  
 -25° + 80°  
 Stang: staal UNI C45  
 Chrom 25 Micron +/- 5  
 Buis: staal 52.3  
 DIN2393 - ISO H9

Hydraulische verdringer cilinder enkelwerkend serie YSG



Bestelnummer	ØD	ØAL	ØS	slag	K	kg.	E	M	C	L1	ØF ØF1	ØG	ØH1
YSG030250100	40	30	25	100	190	1,63	3/8"	35	38	40	14	22	40
YSG030250150	40	30	25	150	240	2,04	3/8"	35	38	40	14	22	40
YSG030250200	40	30	25	200	290	2,44	3/8"	35	38	40	14	22	40
YSG030250250	40	30	25	250	340	2,85	3/8"	35	38	40	14	22	40
YSG030250300	40	30	25	300	390	3,26	3/8"	35	38	40	14	22	40
YSG040300200	50	40	30	200	300	3,61	3/8"	37	42	42	16	27	50
YSG040300250	50	40	30	250	350	4,16	3/8"	37	42	42	16	27	50
YSG040300300	50	40	30	300	400	4,72	3/8"	37	42	42	16	27	50
YSG040300350	50	40	30	350	450	5,27	3/8"	37	42	42	16	27	50
YSG040300400	50	40	30	400	500	5,82	3/8"	37	42	42	16	27	50
YSG040300550	50	40	30	550	650	7,30	3/8"	37	42	42	16	27	50
YSG050400200	60	50	40	200	330	6,00	3/8"	49	54	47	23	37	60
YSG050400250	60	50	40	250	380	6,84	3/8"	49	54	47	23	37	60
YSG050400300	60	50	40	300	430	7,67	3/8"	49	54	47	23	37	60
YSG050400350	60	50	40	350	480	8,49	3/8"	49	54	47	23	37	60
YSG050400400	60	50	40	400	530	9,32	3/8"	49	54	47	23	37	60
YSG050400550	60	50	40	550	680	11,70	3/8"	49	54	47	23	37	60
YSG050400700	60	50	40	700	830	14,10	3/8"	49	54	47	23	37	60
YSG060500300	70	60	50	300	460	11,80	3/8"	65	74	50	25,5	47	65
YSG060500400	70	60	50	400	560	14,00	3/8"	65	74	50	25,5	47	65
YSG060500550	70	60	50	550	710	17,50	3/8"	65	74	50	25,5	47	65
YSG060500700	70	60	50	700	860	21,00	3/8"	65	74	50	25,5	47	65

Specificaties:

Constante snelheid: 0,2 m/s  
 Maximale snelheid: 0,5 m/s  
 Piek druk maximaal: 250 bar  
 Werktemperatuur °C:  
 -25° + 80°  
 Stang: staal UNI C45  
 Chrom 25 Micron +/- 5  
 Buis: staal 52.3  
 DIN2393 - ISO H9