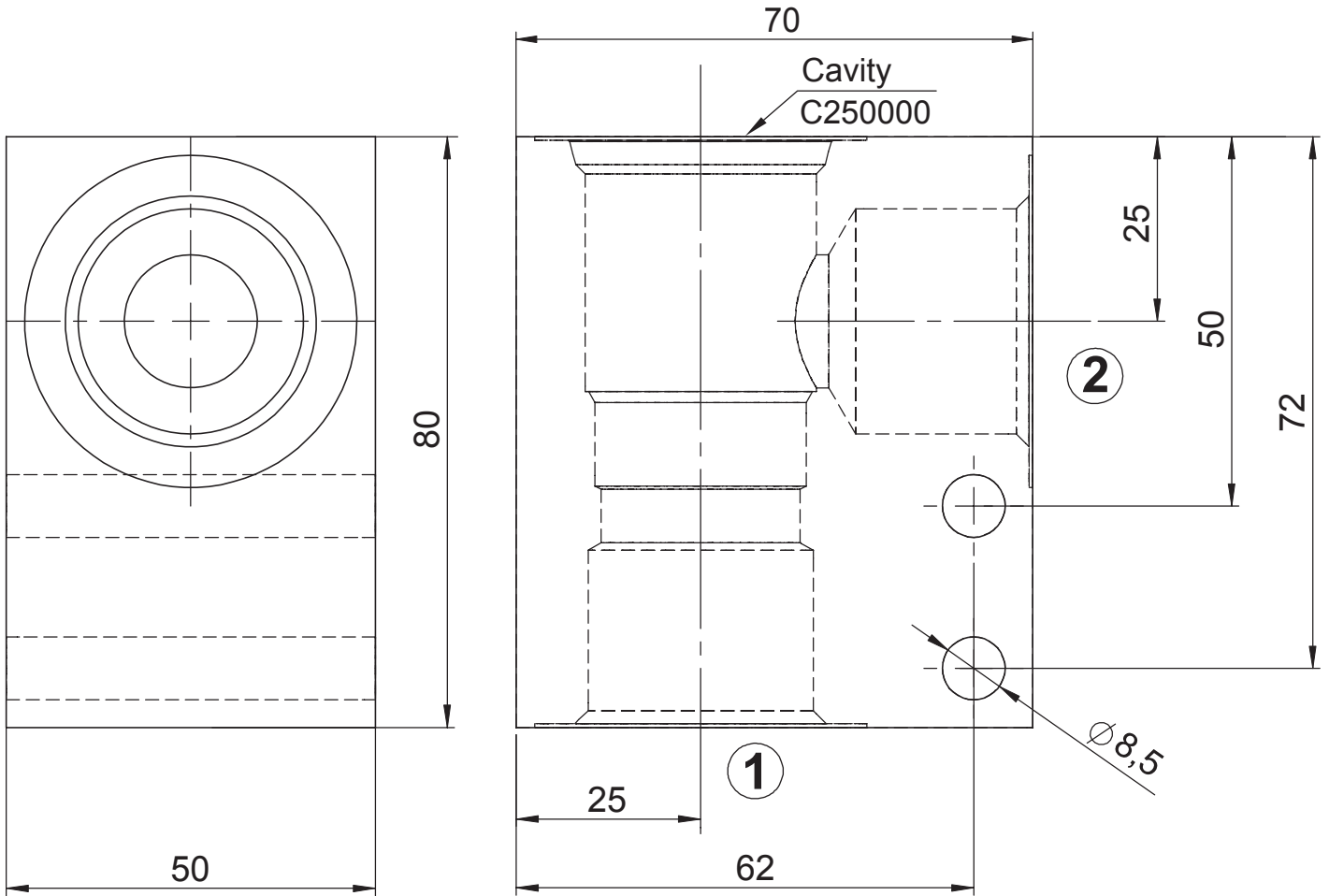


STANDARD BODY FOR LINE MOUNTING



Ordering code

