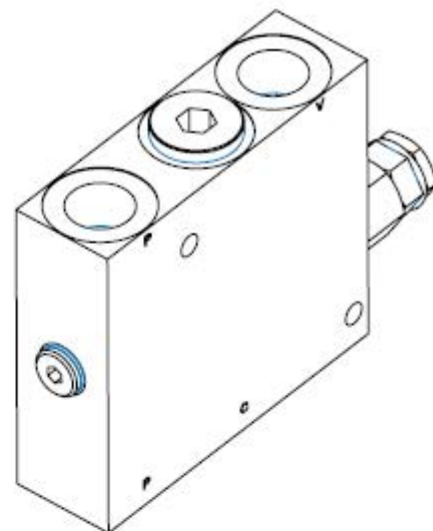
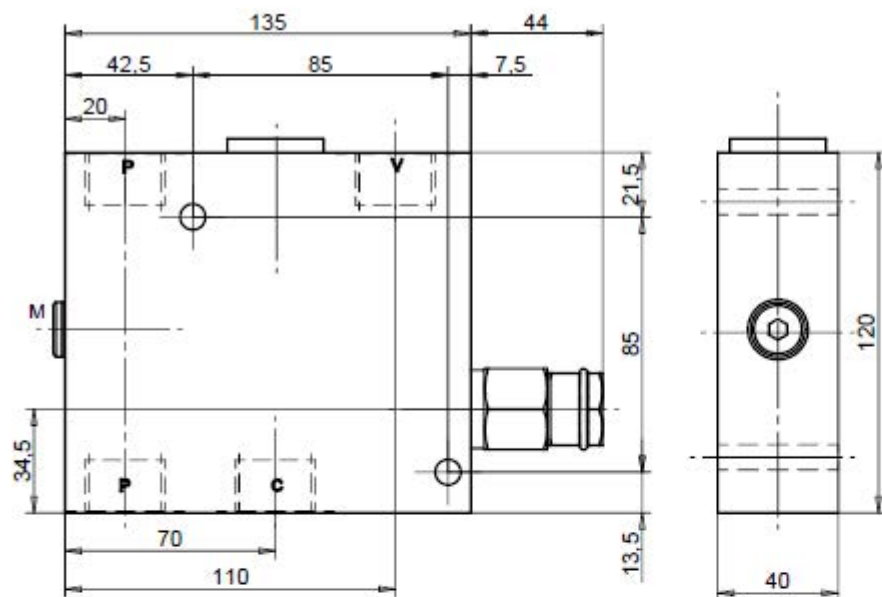
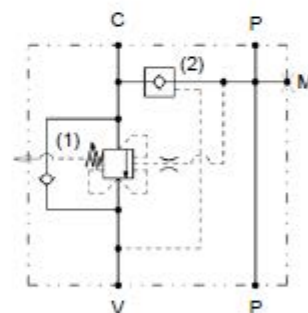


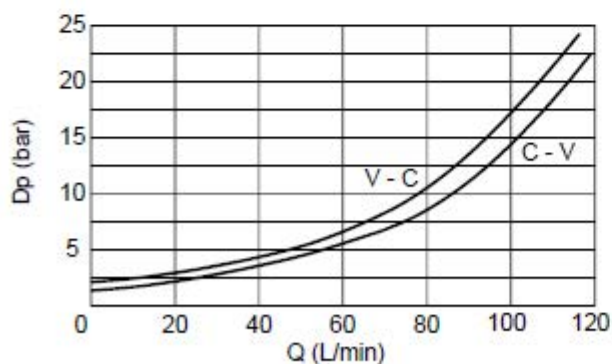
Dimensions



Hydraulic Symbol



Curves



Materials: Zinc plated steel manifold, hardened steel inner parts.

Ordering Code

CB90SLRGTC04

Features

Max Flow	120 lpm	
Max Pressure	350 bar	
Ports	V-P-C: G 3/4 MP-MC: G 1/4	
Pilot Ratio	(1)	(2)
Std. Pressure range	4,2:1	4:1
	100 - 350 bar	