



**DUAL PILOT ASSISTED OVERCENTRE VALVES SERIES "NBA"**

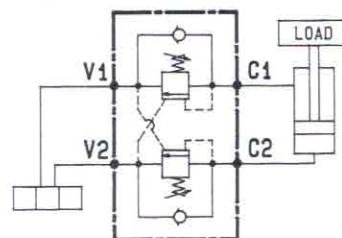
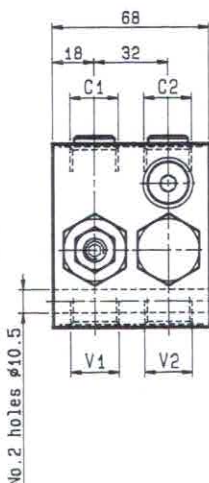
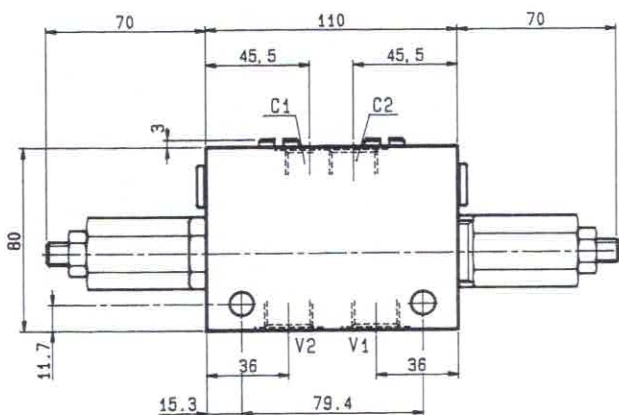
**VBSO-DE-NBA**

**05.42.38 - X - Y - Z**

DENOMINAZIONE VALVOLA  
VALVE DENOMINATION

CODICE D'ORDINAZIONE  
ORDERING CODE

The "NBA" series incorporates check valves with steel seat and allows a choice of different interchangeable pilot ratios. Excellent control in a wide flow/pressure range. Filtration level: 50 micron or better. Leak proof seat design.



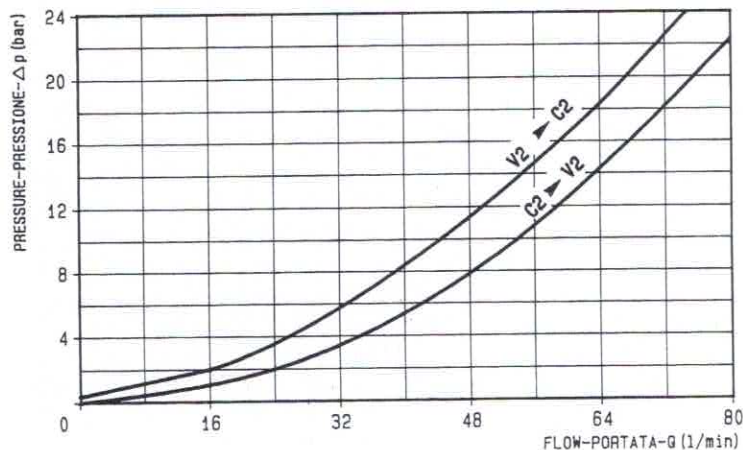
Pressione di lavoro max  
 $\frac{350 \text{ bar}}{1,3} = 270 \text{ bar}$   
Max working pressure  
 $\frac{350 \text{ bar}}{1,3} = 270 \text{ bar}$

Portata max  
70 l/min.  
Flow max  
70 l/min.

Cappello per piombatura  
Sealing cap  
Codice / Ordering code  
N° 03.05.01.001

Peso Kg 2,00

Weight Kg 2,00



X	RAPPORTO DI PILOTAGGIO PILOT RATIO
03	10,7 : 1
10	2,95 : 1

Z	MOLLE - SPRINGS				
	Campo taratura min-max bar Adj.press. range bar	Incremento pressione bar/giro vite Pressure increase bar/turn	Taratura standard bar (Q=5 l/1') Std.setting bar (made at 5 l/1')	Codice ordinazione Ordering code	Colore Colour
20	60-210	68	200	03.51.01.152	verde green
35	100-350	105	350	03.51.01.142	giallo yellow

Y	ATTACCHI / PORT SIZE
	V1 - V2 - C1 - C2
03	1/2" BSPP