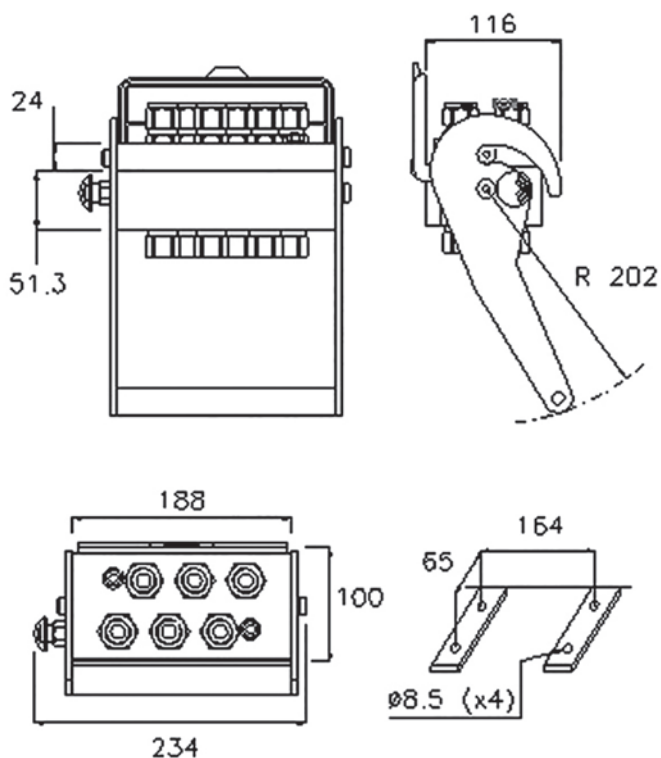




MF P606

MultiFaster 6 lines, size 06.

Applications



Technical Specifications

dash	Size		Working Pressure (MPa)	Flow Rate (l/min)	Spillage (ml)	Burst pressure (MPa)		
	mm	inch				Male	Female	Male + Female
06	10	3/8"	25	40	0.008	100	100	100

Material	Aluminium; Steel
Seals	NBR; PUR
Working temperatures	- 25 °C to + 100 °C
Surface treatment	MATE 500 (CrIII); Paint

Valve Type	Flat
Connection	Lever
Disconnection	Lever
Connection Under Pressure	Allowed Residual



P606

Size					Thread Type					FIXED
dash	mm	inch	Housing	Number of Couplings	Thread Type	Standard	Thread	Electrical Connector N	Connector Type	Part Number
06	10	3/8"	6	6	F BSPP	ISO 1179-1	BSPP 3/8" FEMALE			2P606-6-38G F C
06	10	3/8"	6	6	O2/ METRIC	ISO 8434-1-L	M22x1.5 MALE 15L			2P606-6-2/22F C
06	10	3/8"	6	6	O/ SAE	ISO 11926-1	3/4" - 16 UNF FEMALE ORB			2P606-6-12S F C
06	10	3/8"	6	6	F BSPP	ISO 1179-1	BSPP 1/2" FEMALE			2P606-6-12G F C

Size					Thread Type					MOBILE
dash	mm	inch	Housing	Number of Couplings	Thread Type	Standard	Thread	Electrical Connector N	Connector Type	Part Number
06	10	3/8"	6	6	F BSPP	ISO 1179-1	BSPP 3/8" FEMALE			2P606-6-38G M C
06	10	3/8"	6	6	O2/ METRIC	ISO 8434-1-L	M22x1.5 MALE 15L			2P606-6-2/22M C
06	10	3/8"	6	6	O/ SAE	ISO 11926-1	3/4" - 16 UNF FEMALE ORB			2P606-6-12S M C
06	10	3/8"	6	6	F BSPP	ISO 1179-1	BSPP 1/2" FEMALE			2P606-6-12G M C

Spare Parts & Accessories

Female Half				Male Half					
Plates	Lever	Dust cover	Safety Lock	Plates	Seals male	Screws	Plugs	Guiding pins	Docking
KIT P606 F L	KIT LP606	KIT TA P6	KIT SP5 S	KIT P606 M	SK MF 38	KIT VP4	KIT TSP 12 M	KIT GP4	S P6

