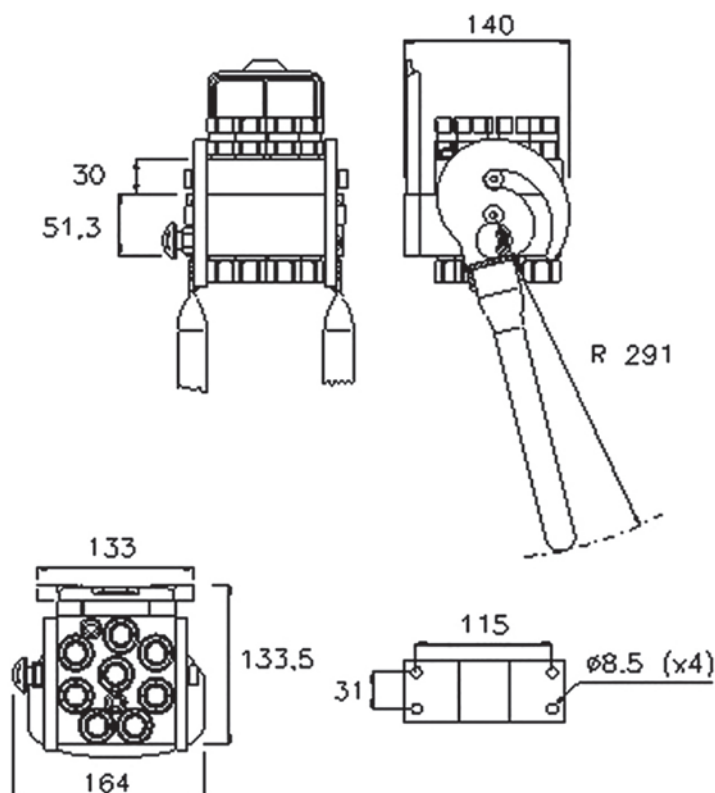
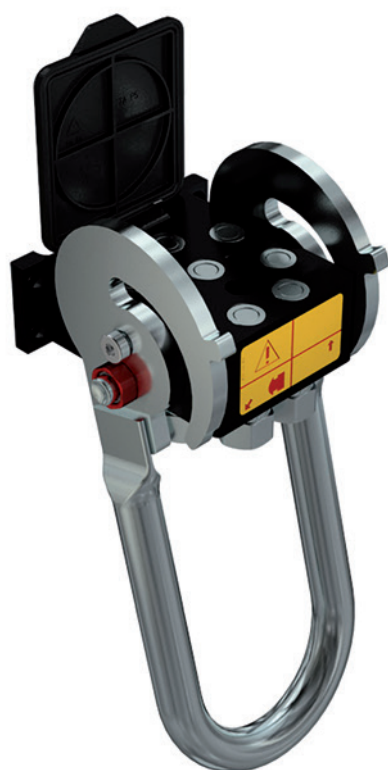




MF P5068

MultiFaster 8 lines, size 06.

Applications



Technical Specifications

dash	Size		Working Pressure (MPa)	Flow Rate (l/min)	Spillage (ml)	Burst pressure (MPa)		
	mm	inch				Male	Female	Male + Female
06	10	3/8"	25	40	0.008	100	100	100

Material	Aluminium; Steel
Seals	NBR; PUR
Working temperatures	- 25 °C to + 100 °C
Surface treatment	MATE 500 (CrIII); Paint

Valve Type	Flat
Connection	Lever
Disconnection	Lever
Connection Under Pressure	Allowed Residual



P5068

Size					Thread Type					FIXED
dash	mm	inch	Housing	Number of Couplings	Thread Type	Standard	Thread	Electrical Connector N	Connector Type	Part Number
06	10	3/8"	8	8	13/ SAE	ISO 8434-2	3/4"-16 UNF FEMALE ORB			2P5068-8-C F C
06	10	3/8"	8	8	F BSPP	ISO 1179-1	BSPP 3/8" FEMALE			2P5068-8-38GF C
06	10	3/8"	8	8	F BSPP	ISO 1179-1	BSPP 1/2" FEMALE			2P5068-8-12GF C

Size					Thread Type					MOBILE
dash	mm	inch	Housing	Number of Couplings	Thread Type	Standard	Thread	Electrical Connector N	Connector Type	Part Number
06	10	3/8"	8	8	13/ SAE	ISO 8434-2	3/4"-16 UNF MALE			2P5068-8-D M C
06	10	3/8"	8	8	F BSPP	ISO 1179-1	BSPP 3/8" FEMALE			2P5068-8-38GM C
06	10	3/8"	8	8	F BSPP	ISO 1179-1	BSPP 1/2" FEMALE			3P5068-8-12G MC

Spare Parts & Accessories

Female Half				Male Half					
Plates	Lever	Dust cover	Safety Lock	Plates	Seals male	Screws	Plugs	Guiding pins	Docking
KIT P5068 F L		KIT TA P5	KIT SP4	KIT P5068 M	SK MF 38		KIT TSP 12 M	KIT GP4	S P5068

