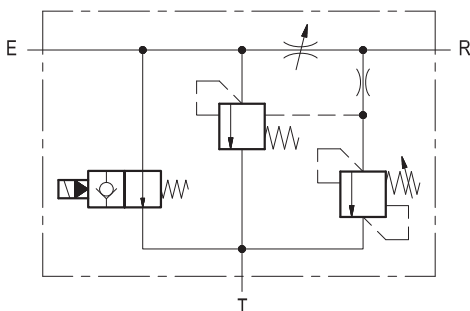
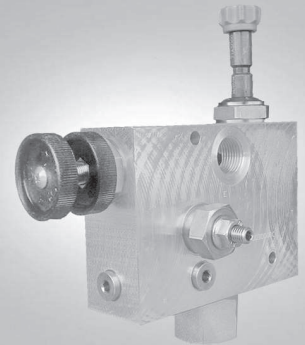


RE 18309-48/04.10 1/2  
Replaces: RE 00171/02.07

# Flow regulator, 3-way, pressure compensated, with relief and solenoid by-pass

VRFC3-VS-BPE

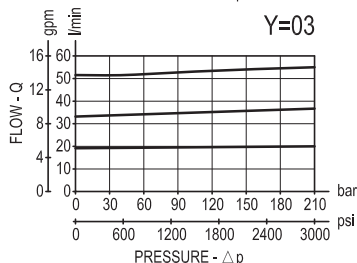
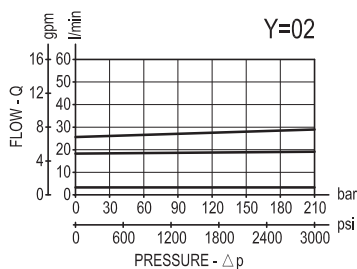
OM.38.03 - X - Y



## Description

A constant pressure compensated flow rate is established from E to R, while a minimum pressure differential of appr. 5 bar (70 psi) exists between the two ports. Input flow supplied to E in excess of the regulated output at R is by-passed to T. Regulated flow can be varied from closed to the nominal maximum rating of the valve and its pressure is controlled by a relief cartridge which will dump to Tank the output flow if the maximum pressure is reached. A normally open solenoid cartridge by-passes all Inlet flow to tank when de-energized. Reverse flow from R to E is limited by the selected opening of the restrictor and is not pressure compensated. Flow from T to R is not permitted.

## Performance



## Technical data

### Hydraulic

|                    |           |                  |
|--------------------|-----------|------------------|
| Operating pressure | bar (psi) | up to 210 (3000) |
|--------------------|-----------|------------------|

Adj. relief valve: range 35-210 bar (500-3000 psi)

Standard setting: 210 bar (3000 psi)

QE = max inlet flow "E" port (see "Dimensions")

QR = max regulated flow "R" port (see "Dimensions")

Flow range adjustment : 0 - 3 turns

**The coil must be ordered separately**

### General

|                   |           |
|-------------------|-----------|
| Manifold material | Aluminium |
|-------------------|-----------|

Note: aluminium bodies are often strong enough for operating pressures exceeding 210 bar (3000 psi), depending from the fatigue life expected in the specific application. If in doubt, consult our Service Network.

|        |                  |
|--------|------------------|
| Weight | see "Dimensions" |
|--------|------------------|

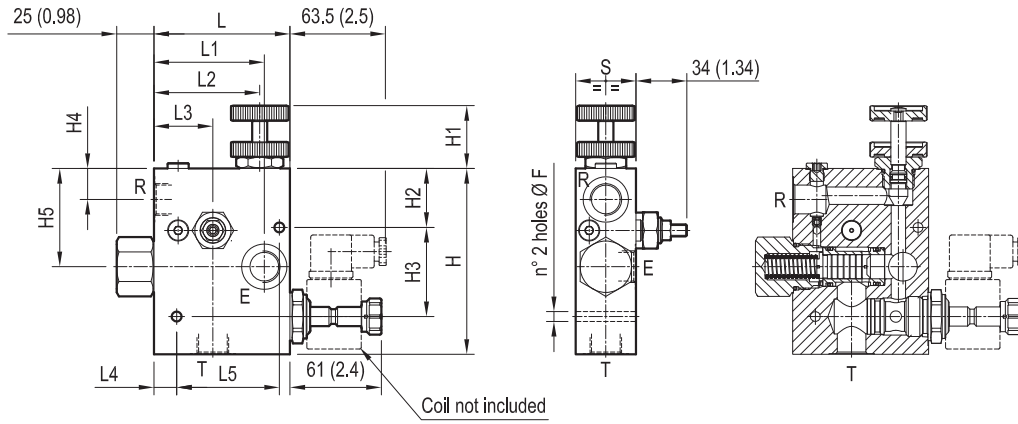
|           |                                    |
|-----------|------------------------------------|
| Viscosity | 20 to 380 mm <sup>2</sup> /s (cSt) |
|-----------|------------------------------------|

|                         |         |                                |
|-------------------------|---------|--------------------------------|
| Fluid temperature range | °C (°F) | between -20 (-4) and +80 (176) |
|-------------------------|---------|--------------------------------|

|                      |                            |
|----------------------|----------------------------|
| Other technical data | see data sheet RE 18350-50 |
|----------------------|----------------------------|

**Note:** for applications outside these parameters, please consult us.

**Dimensions**



Coil not included

[ mm (inches) ]

|              |              |              |              |              |              |              |              |                |              |              |              |               |               |                    |                    |       |                    |
|--------------|--------------|--------------|--------------|--------------|--------------|--------------|--------------|----------------|--------------|--------------|--------------|---------------|---------------|--------------------|--------------------|-------|--------------------|
| 40<br>(1.58) | 68<br>(2.68) | 15<br>(0.59) | 39<br>(1.54) | 70<br>(2.76) | 73<br>(2.87) | 90<br>(3.54) | 65<br>(2.56) | 20.5<br>(0.81) | 59<br>(2.32) | 39<br>(1.54) | 40<br>(1.58) | 123<br>(4.84) | 6.5<br>(0.26) | 55 l/min<br>15 gpm | 90 l/min<br>24 gpm | G 1/2 | 1.55<br>(3.42)     |
| 40<br>(1.58) | 68<br>(2.68) | 15<br>(0.59) | 39<br>(1.54) | 70<br>(2.76) | 73<br>(2.87) | 90<br>(3.54) | 65<br>(2.56) | 19.5<br>(0.77) | 59<br>(2.32) | 39<br>(1.54) | 40<br>(1.58) | 123<br>(4.84) | 6.5<br>(0.26) | 30 l/min<br>8 gpm  | 55 l/min<br>15 gpm | G 3/8 | 1.55<br>(3.42)     |
| S            | L5           | L4           | L3           | L2           | L1           | L            | H5           | H4             | H3           | H2           | H1           | H             | F             | QR                 | QE                 | Y     | Weight<br>kg (lbs) |

**Ordering code**

**OM.38.03 X Y**

Flow regulator,  
3-way, pressure compensated,  
with relief and solenoid by-pass

Adjustments

= 70 Handknob and locknut



= 80 Screw and locknut



= 40 Graduated handknob



|            |           |
|------------|-----------|
| Port sizes | E - R - T |
| = 02       | G 3/8     |
| = 03       | G 1/2     |

| Type            | Material number |
|-----------------|-----------------|
| OM380370020000B | R930004286      |
| OM380370030000C | R930004287      |
| OM380380020000  | R930000466      |
| OM380380030000B | R930004290      |
| OM380340020000  | R930000465      |
| OM380340030000B | R930004284      |

| Type | Material number |
|------|-----------------|
|      |                 |
|      |                 |
|      |                 |
|      |                 |
|      |                 |
|      |                 |
|      |                 |
|      |                 |
|      |                 |
|      |                 |